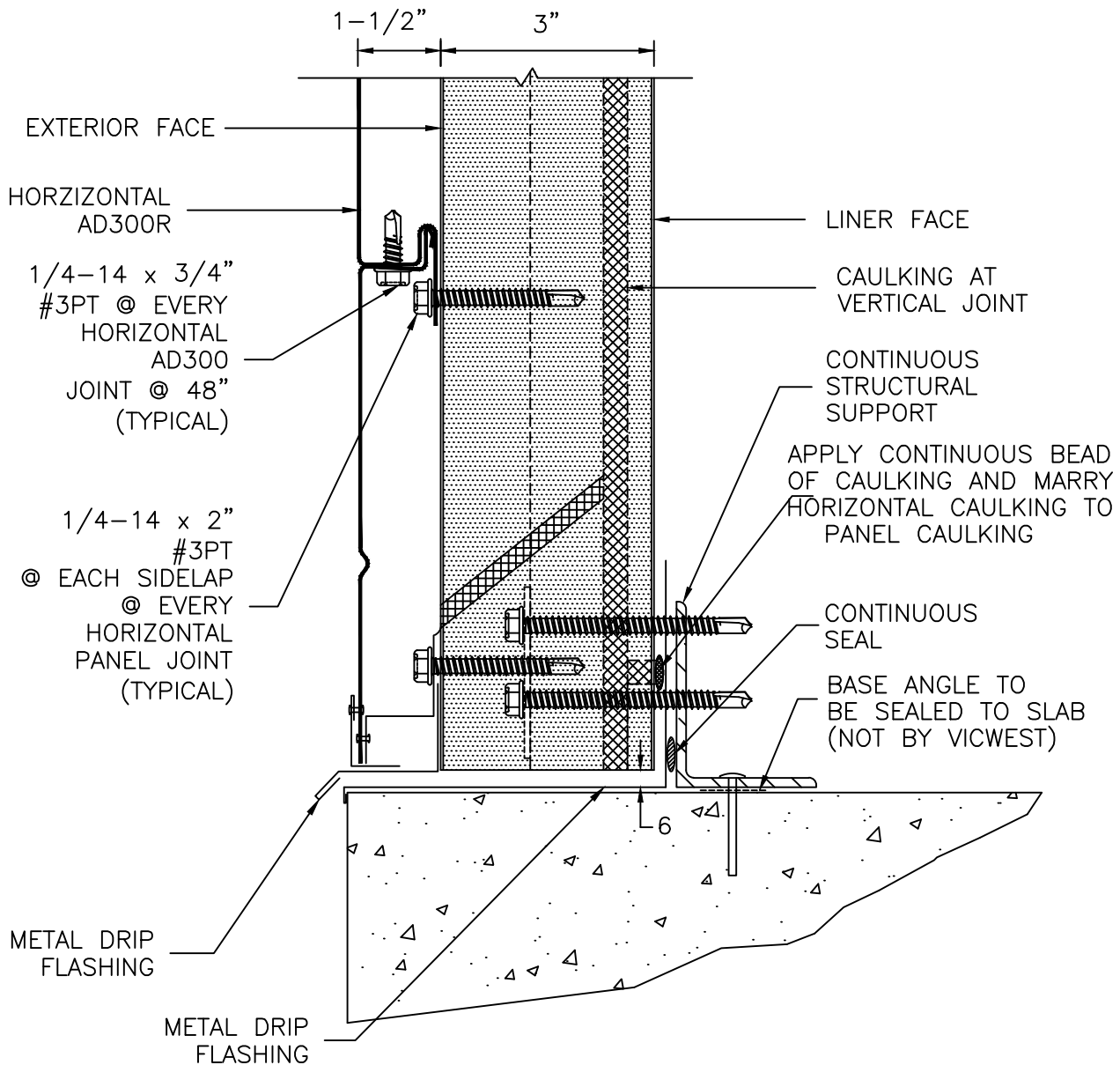


INSULATED METAL PANEL

FASSADE HORIZONTAL CLADDING APPLICATION BASE DETAIL

DIMENSIONS ARE IN INCHES



**SPACING, GAUGE, AND FASTENING PATTERN
ARE DEPENDENT ON JOB SPECIFIC LOADING CRITERIA

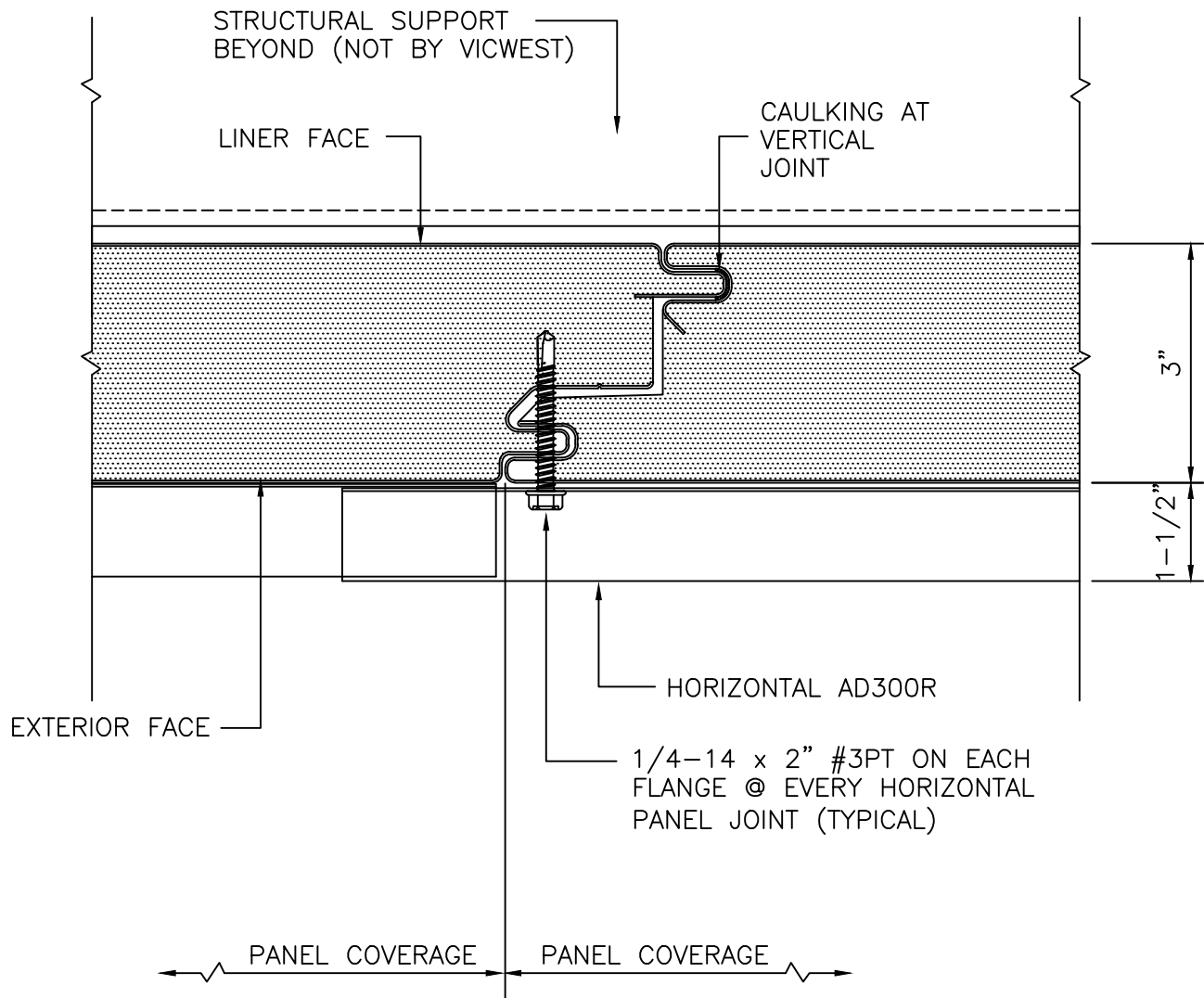
NOTE:

DETAIL MUST BE REVIEWED AND MODIFIED AS REQUIRED TO SUIT INDIVIDUAL PROJECT CONDITION.

INSULATED METAL PANEL

FASSADE HORIZONTAL CLADDING APPLICATION HORIZONTAL JOINT DETAIL

DIMENSIONS ARE IN INCHES



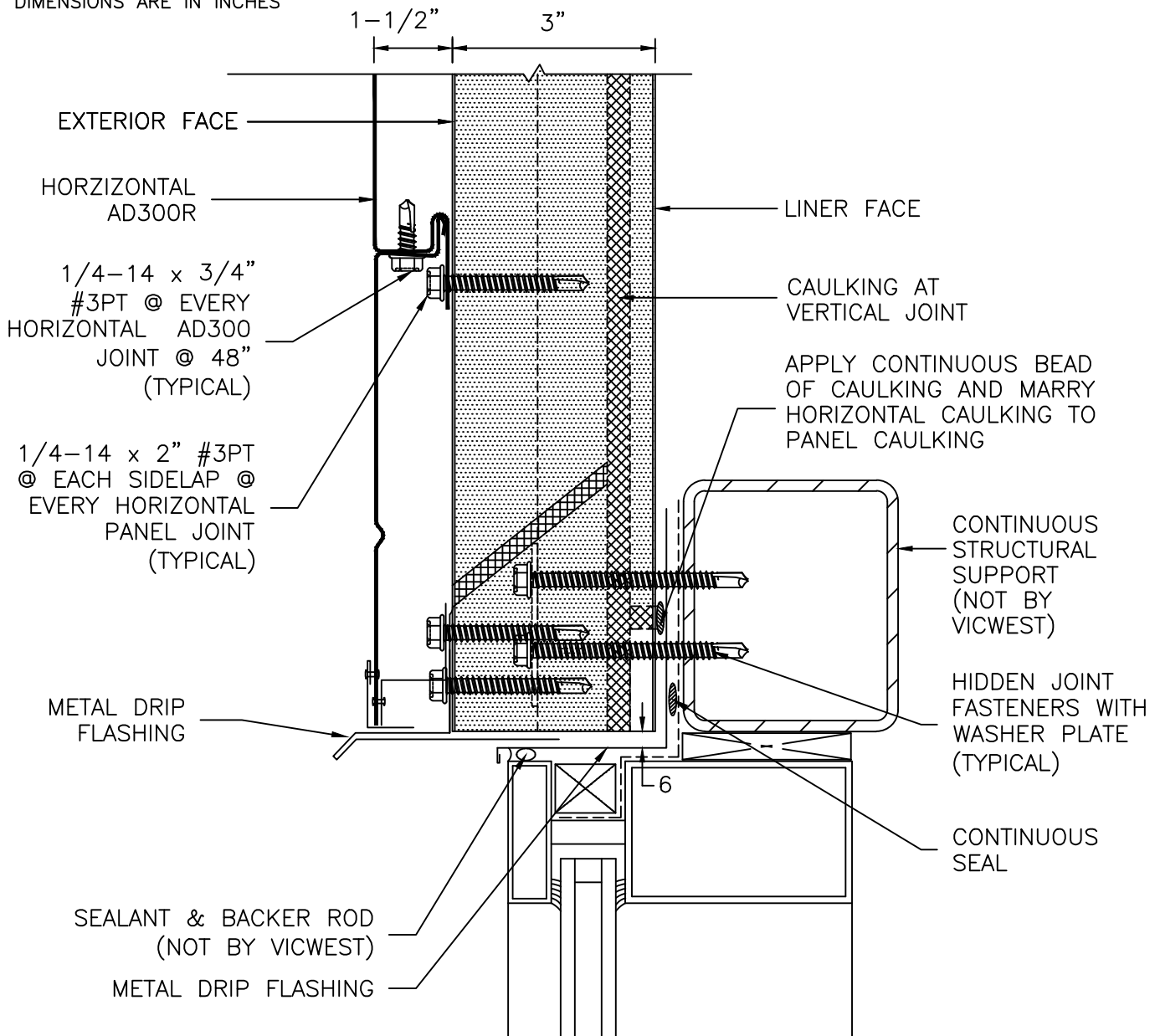
**SPACING, GAUGE, AND FASTENING PATTERN
ARE DEPENDENT ON JOB SPECIFIC LOADING CRITERIA

NOTE:
DETAIL MUST BE REVIEWED AND MODIFIED AS REQUIRED TO SUIT INDIVIDUAL PROJECT CONDITION.

INSULATED METAL PANEL

FASSADE HORIZONTAL CLADDING APPLICATION WINDOW HEAD DETAIL

DIMENSIONS ARE IN INCHES



**SPACING, GAUGE, AND FASTENING PATTERN ARE DEPENDENT ON JOB SPECIFIC LOADING CRITERIA

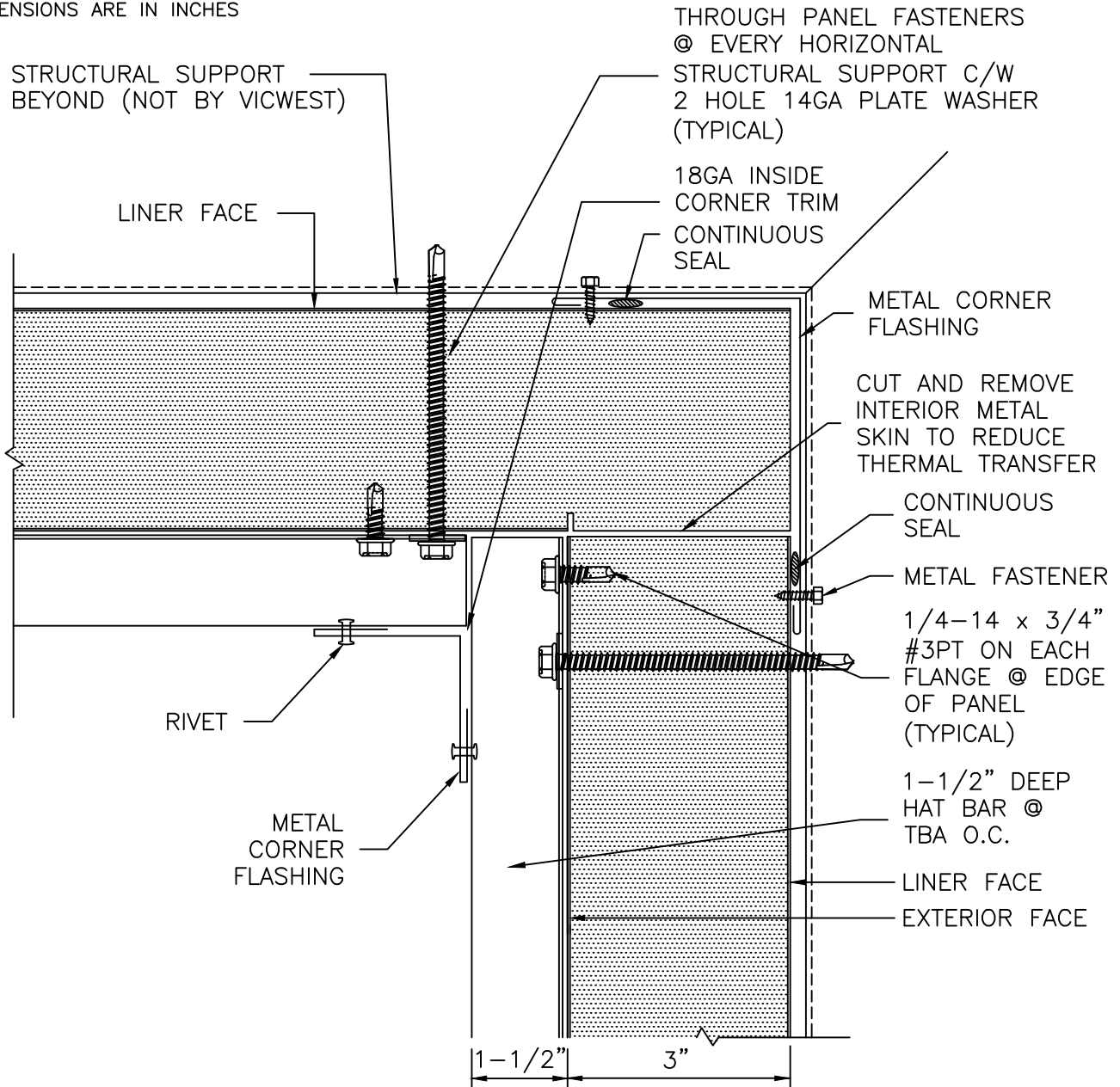
NOTE:

DETAIL MUST BE REVIEWED AND MODIFIED AS REQUIRED TO SUIT INDIVIDUAL PROJECT CONDITION.

INSULATED METAL PANEL

FASSADE HORIZONTAL CLADDING APPLICATION INSIDE CORNER DETAIL

DIMENSIONS ARE IN INCHES



**SPACING, GAUGE, AND FASTENING PATTERN ARE DEPENDENT ON JOB SPECIFIC LOADING CRITERIA

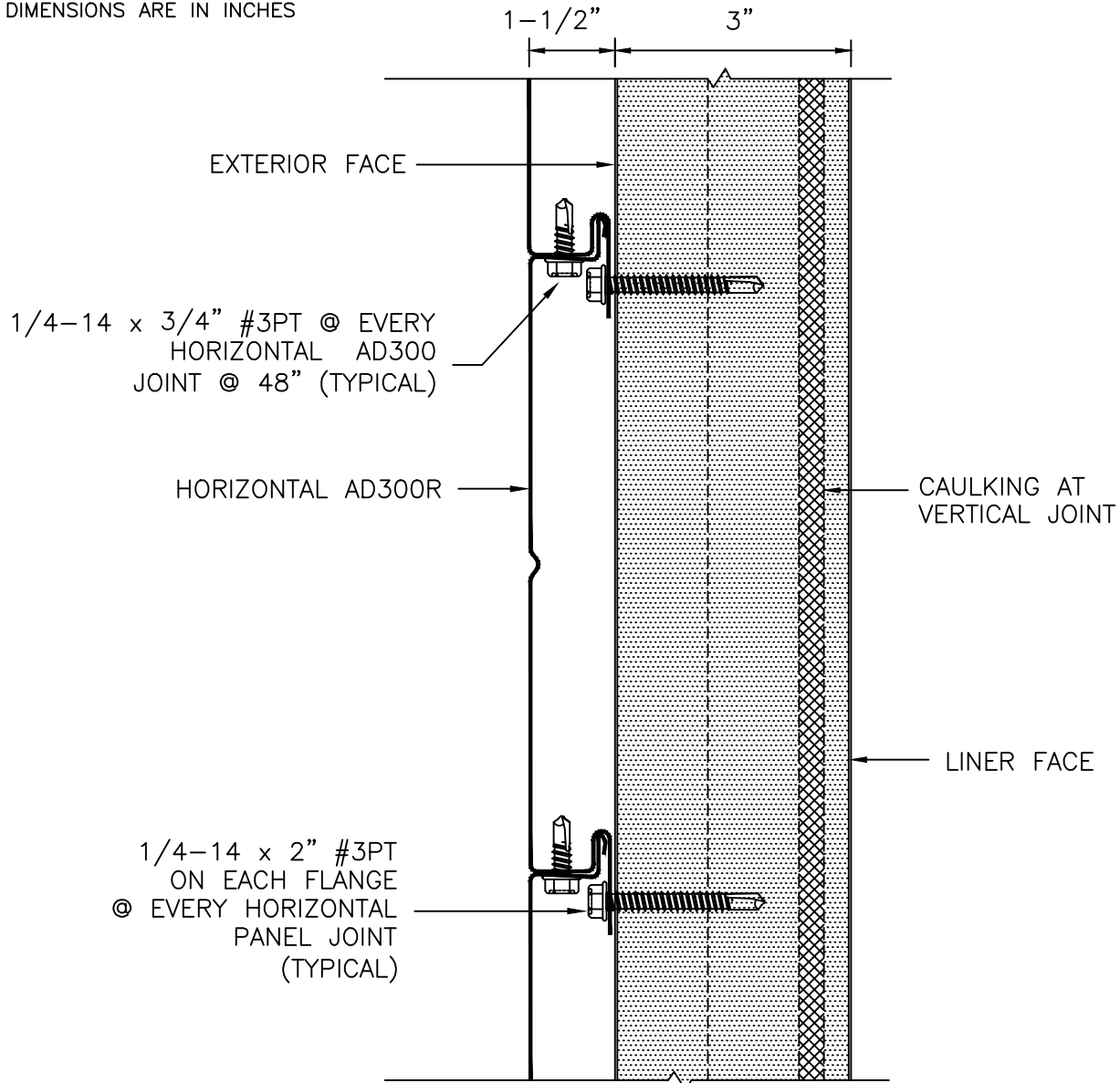
NOTE:

DETAIL MUST BE REVIEWED AND MODIFIED AS REQUIRED TO SUIT INDIVIDUAL PROJECT CONDITION.

INSULATED METAL PANEL

FASSADE HORIZONTAL CLADDING APPLICATION INTERMEDIATE DETAIL

DIMENSIONS ARE IN INCHES



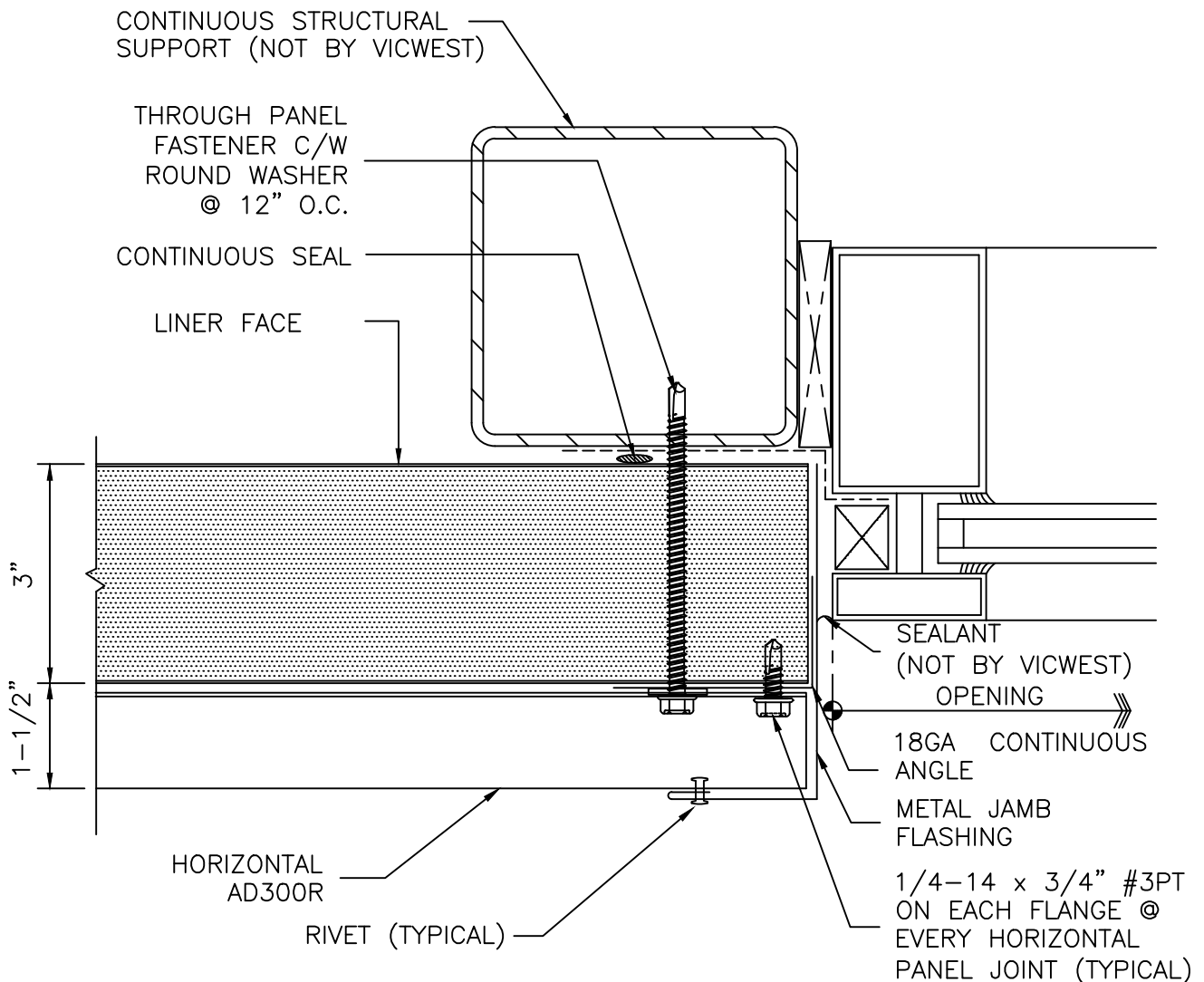
**SPACING, GAUGE, AND FASTENING PATTERN
ARE DEPENDENT ON JOB SPECIFIC LOADING CRITERIA

NOTE:
DETAIL MUST BE REVIEWED AND MODIFIED AS REQUIRED TO SUIT INDIVIDUAL PROJECT CONDITION.

INSULATED METAL PANEL

FASSADE HORIZONTAL CLADDING APPLICATION WINDOW JAMB DETAIL

DIMENSIONS ARE IN INCHES



**SPACING, GAUGE, AND FASTENING PATTERN
ARE DEPENDENT ON JOB SPECIFIC LOADING CRITERIA

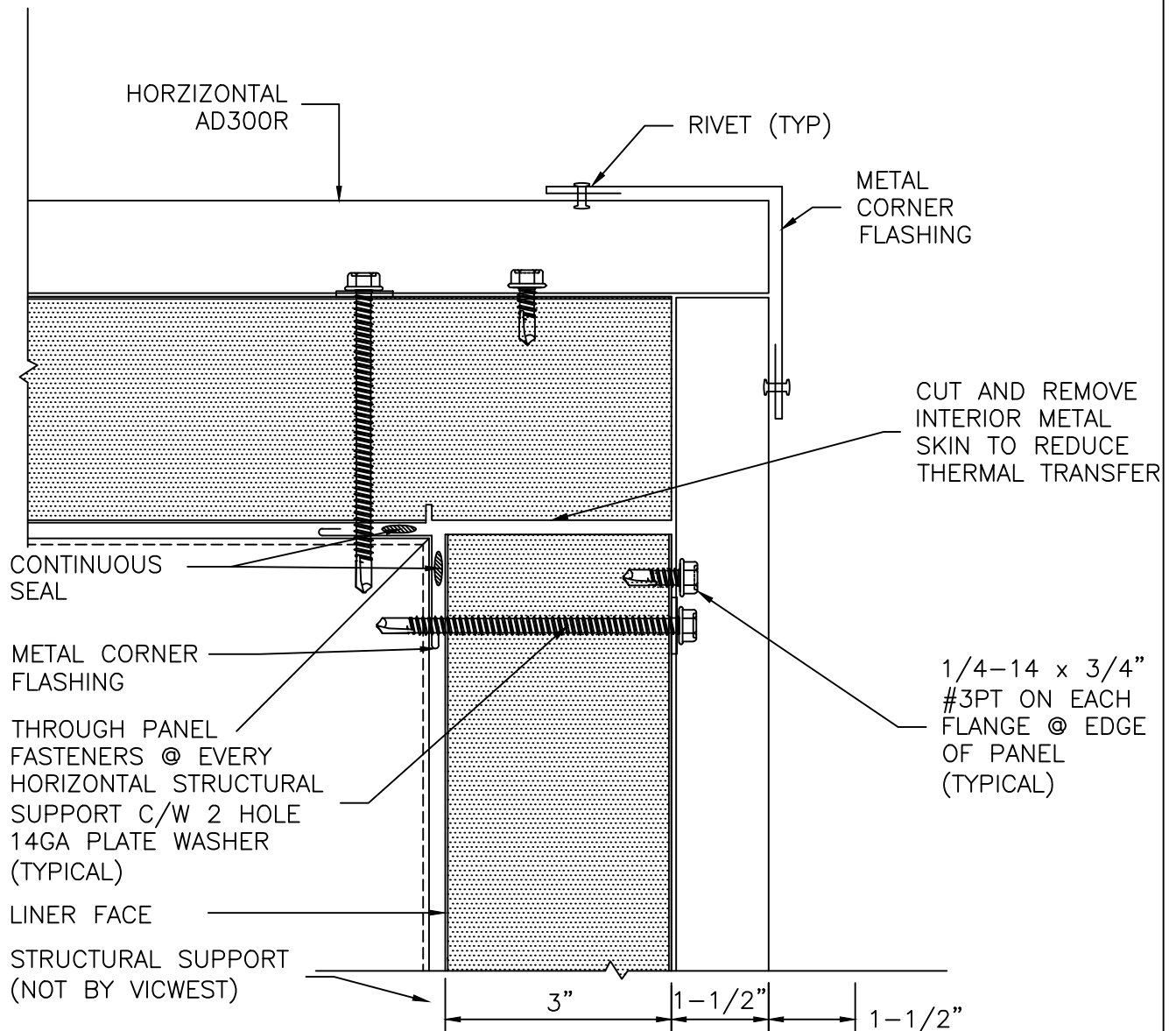
NOTE:

DETAIL MUST BE REVIEWED AND MODIFIED AS REQUIRED TO SUIT INDIVIDUAL PROJECT CONDITION.

INSULATED METAL PANEL

FASSADE HORIZONTAL CLADDING APPLICATION OUTSIDE CORNER DETAIL

DIMENSIONS ARE IN INCHES



**SPACING, GAUGE, AND FASTENING PATTERN
ARE DEPENDENT ON JOB SPECIFIC LOADING CRITERIA

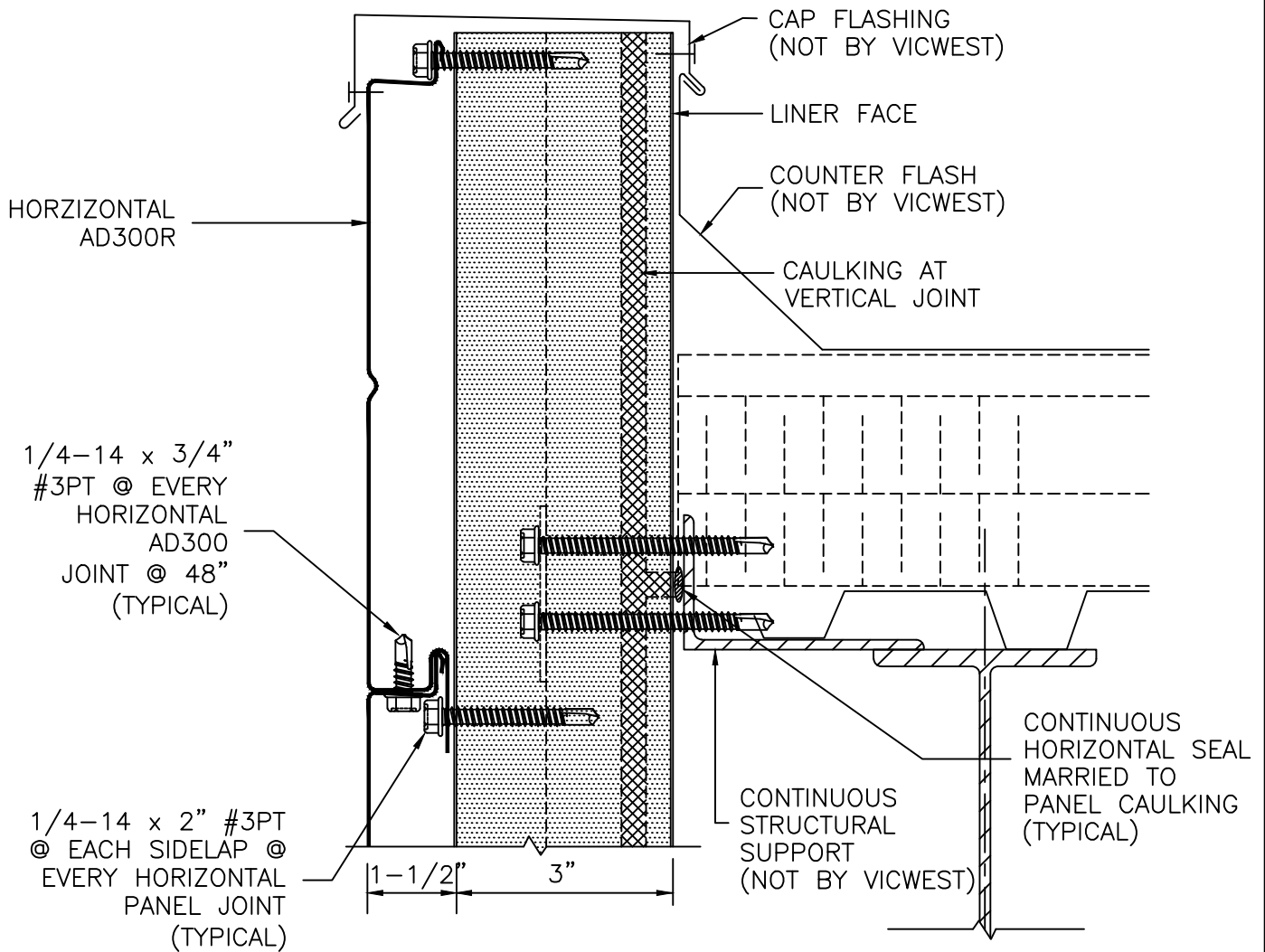
NOTE:

DETAIL MUST BE REVIEWED AND MODIFIED AS REQUIRED TO SUIT INDIVIDUAL PROJECT CONDITION.

INSULATED METAL PANEL

FASSADE HORIZONTAL CLADDING APPLICATION PARAPET DETAIL

DIMENSIONS ARE IN INCHES



**SPACING, GAUGE, AND FASTENING PATTERN
ARE DEPENDENT ON JOB SPECIFIC LOADING CRITERIA

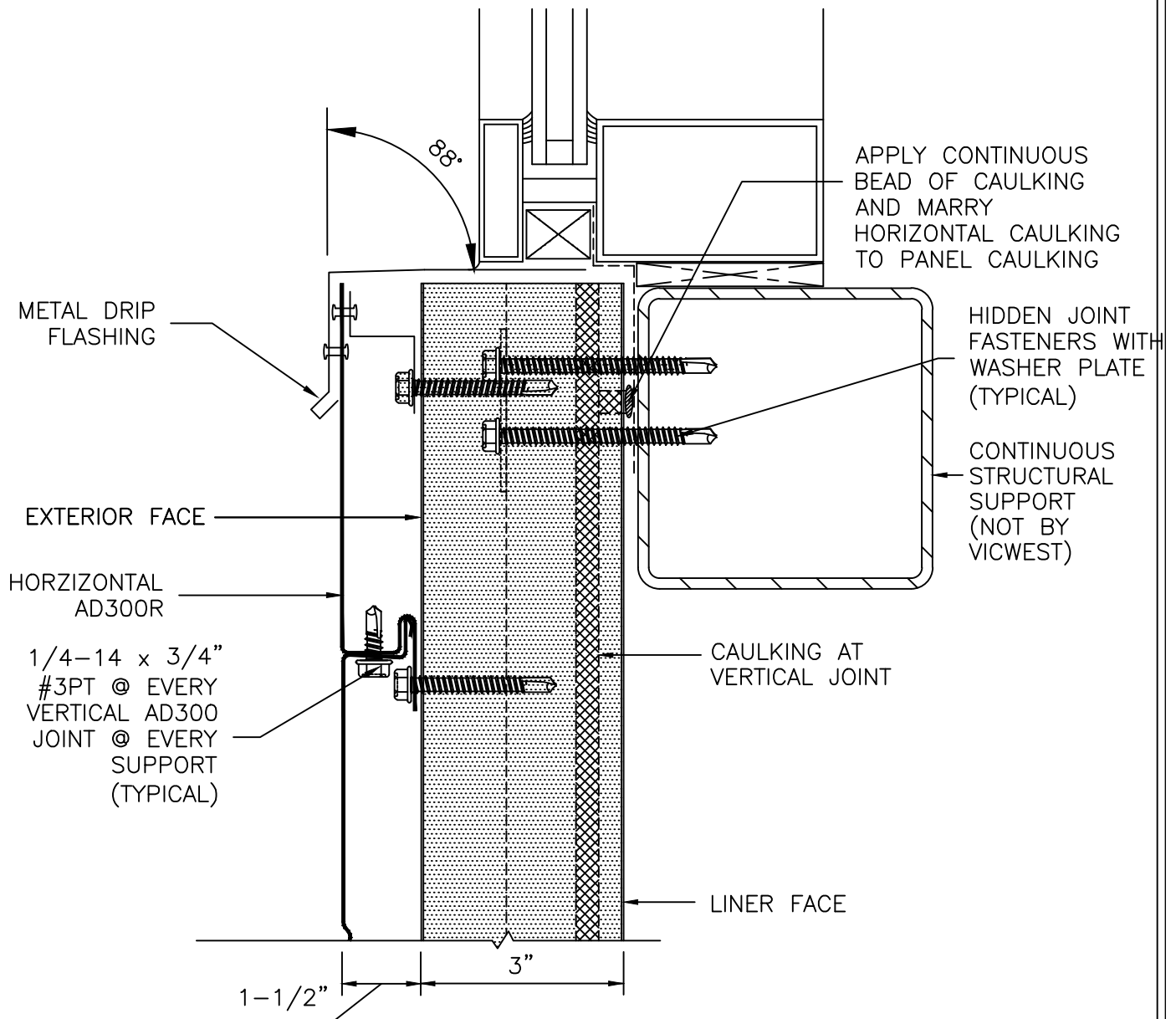
NOTE:

DETAIL MUST BE REVIEWED AND MODIFIED AS REQUIRED TO SUIT INDIVIDUAL PROJECT CONDITION.

INSULATED METAL PANEL

FASSADE HORIZONTAL CLADDING APPLICATION WINDOW SILL DETAIL

DIMENSIONS ARE IN INCHES



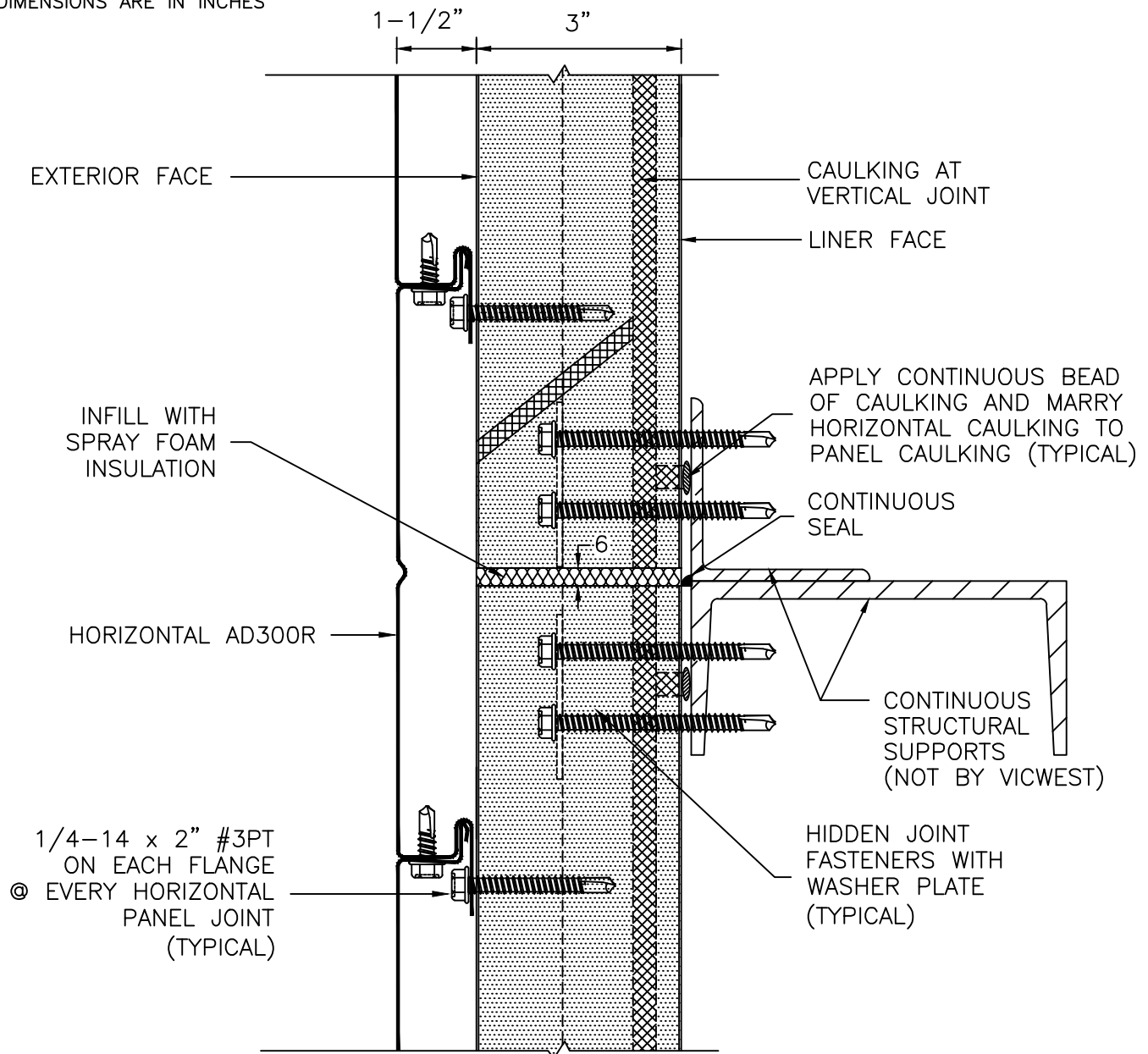
**SPACING, GAUGE, AND FASTENING PATTERN
ARE DEPENDENT ON JOB SPECIFIC LOADING CRITERIA

NOTE:
DETAIL MUST BE REVIEWED AND MODIFIED AS REQUIRED TO SUIT INDIVIDUAL PROJECT CONDITION.

INSULATED METAL PANEL

FASSADE HORIZONTAL CLADDING APPLICATION VERTICAL LAP DETAIL @ HORIZONTAL JOINT

DIMENSIONS ARE IN INCHES



**SPACING, GAUGE, AND FASTENING PATTERN
ARE DEPENDENT ON JOB SPECIFIC LOADING CRITERIA

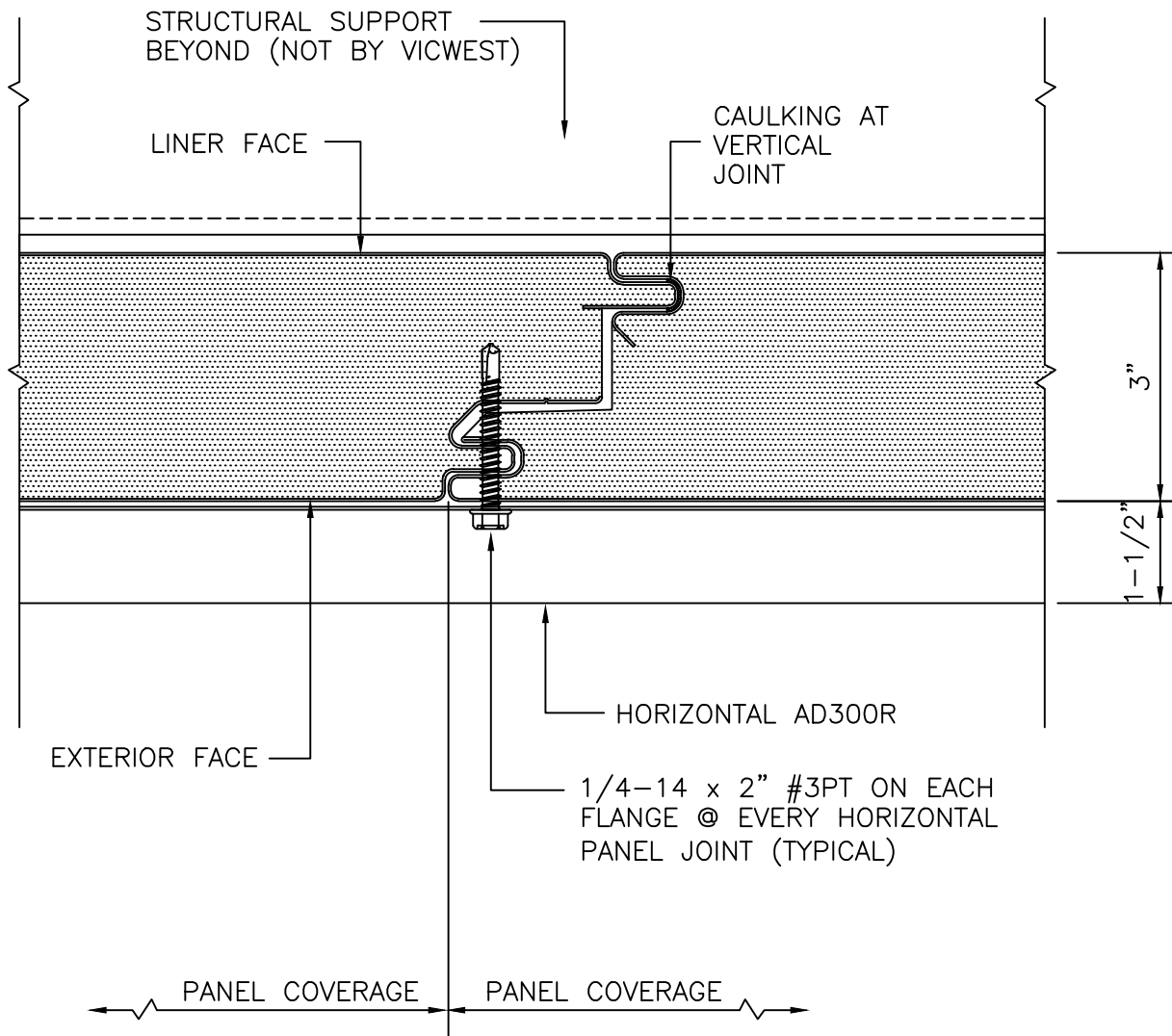
NOTE:

DETAIL MUST BE REVIEWED AND MODIFIED AS REQUIRED TO SUIT INDIVIDUAL PROJECT CONDITION.

INSULATED METAL PANEL

FASSADE HORIZONTAL CLADDING APPLICATION VERTICAL JOINT DETAIL

DIMENSIONS ARE IN INCHES



**SPACING, GAUGE, AND FASTENING PATTERN
ARE DEPENDENT ON JOB SPECIFIC LOADING CRITERIA

NOTE:
DETAIL MUST BE REVIEWED AND MODIFIED AS REQUIRED TO SUIT INDIVIDUAL PROJECT CONDITION.