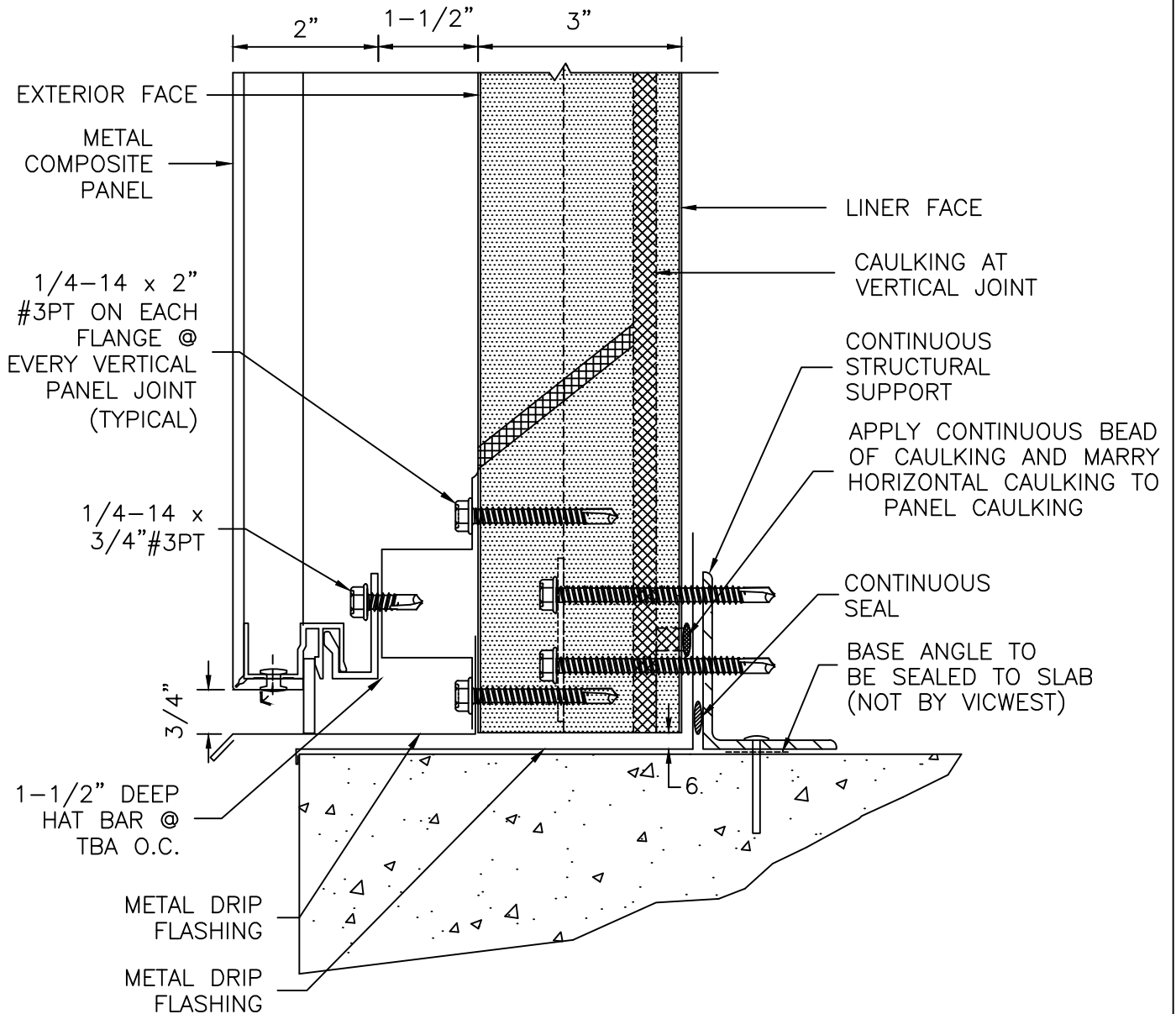


INSULATED METAL PANEL

FASSADE METAL COMPOSITE PANEL APPLICATION BASE DETAIL

DIMENSIONS ARE IN INCHES



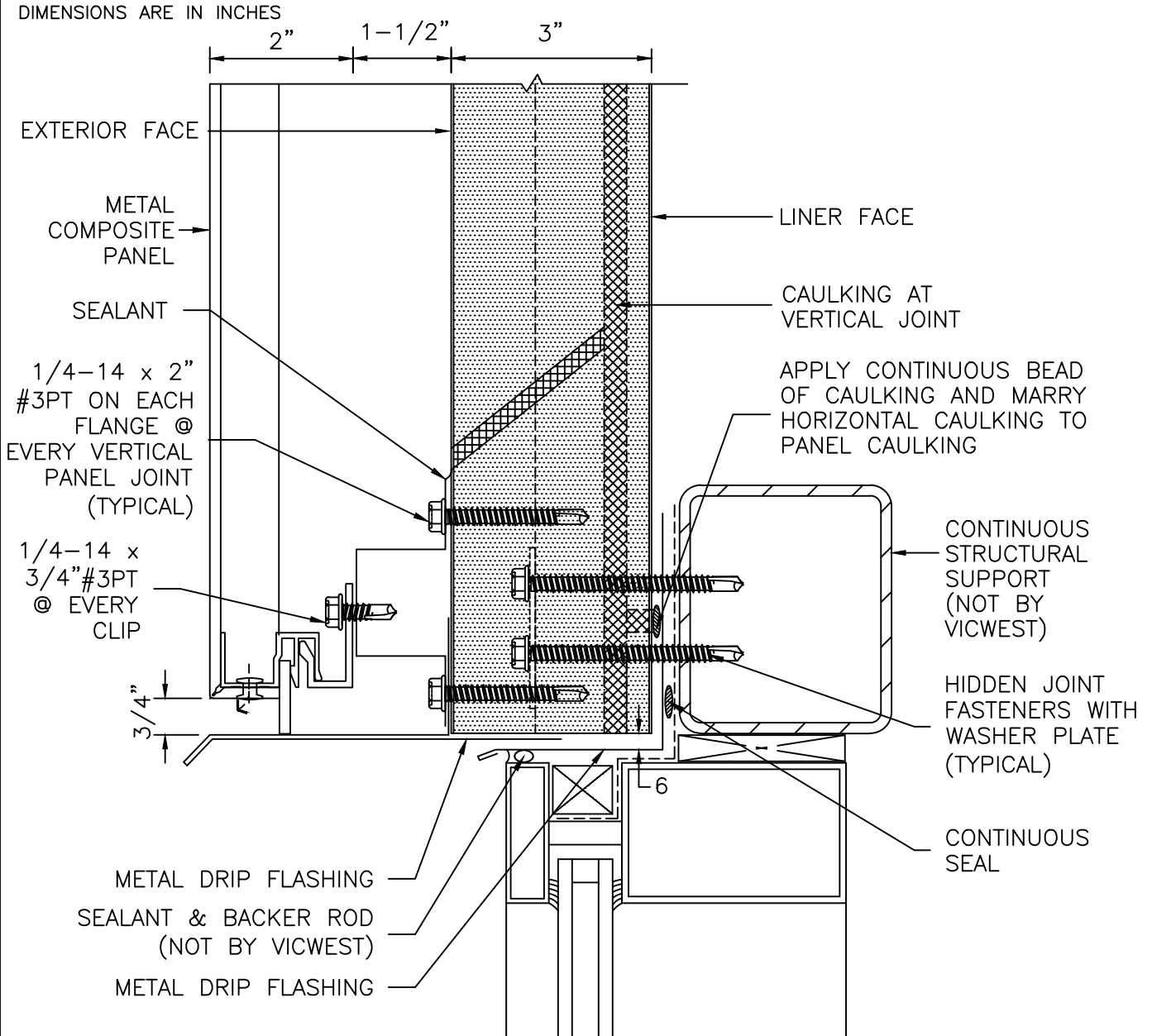
**SPACING, GAUGE, AND FASTENING PATTERN ARE DEPENDENT ON JOB SPECIFIC LOADING CRITERIA

NOTE:

DETAIL MUST BE REVIEWED AND MODIFIED AS REQUIRED TO SUIT INDIVIDUAL PROJECT CONDITION.

INSULATED METAL PANEL

FASSADE METAL COMPOSITE PANEL APPLICATION WINDOW HEAD DETAIL



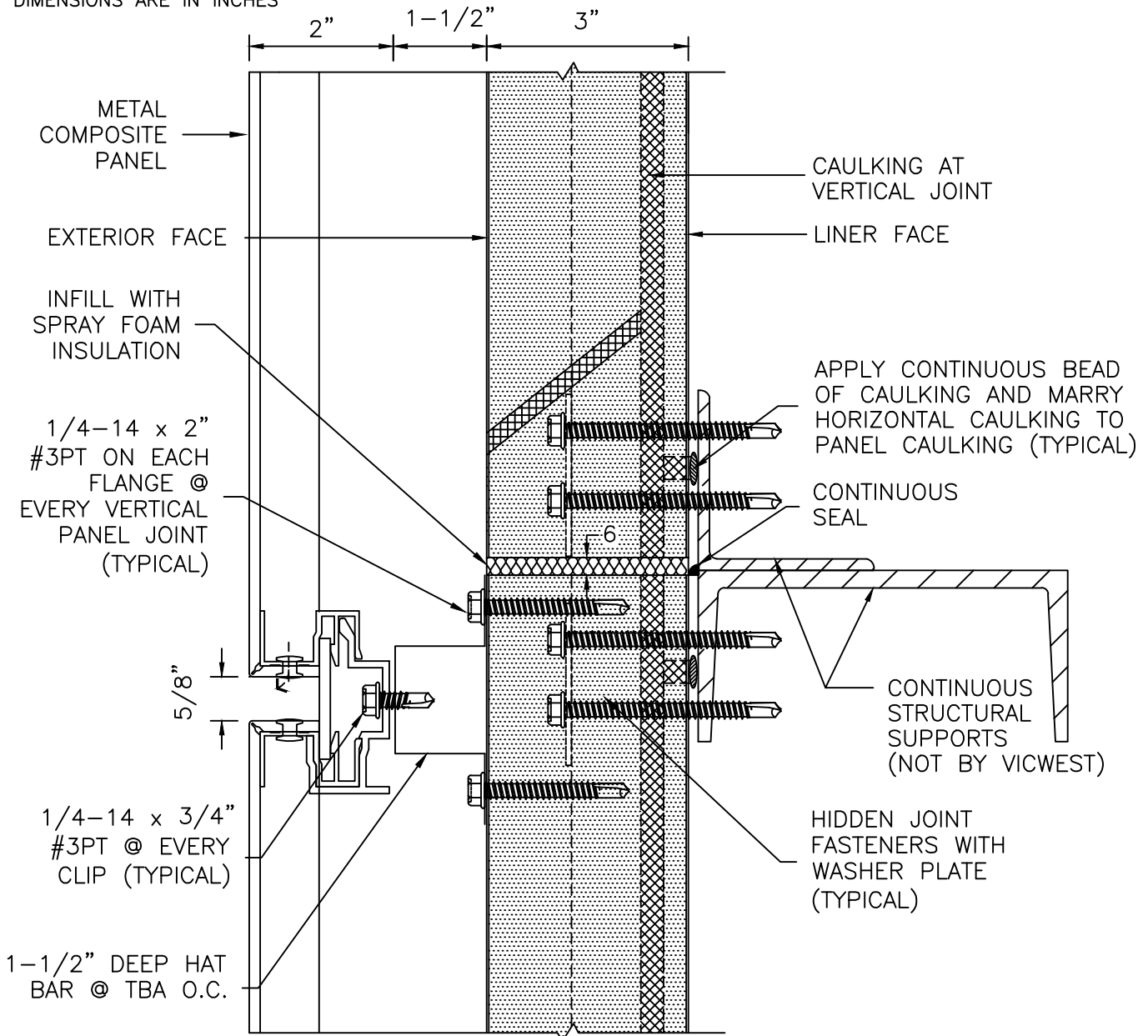
NOTE:

DETAIL MUST BE REVIEWED AND MODIFIED AS REQUIRED TO SUIT INDIVIDUAL PROJECT CONDITION.

INSULATED METAL PANEL

FASSADE METAL COMPOSITE PANEL APPLICATION VERTICAL LAP DETAIL @ HORIZONTAL JOINT

DIMENSIONS ARE IN INCHES



**SPACING, GAUGE, AND FASTENING PATTERN ARE DEPENDENT ON JOB SPECIFIC LOADING CRITERIA

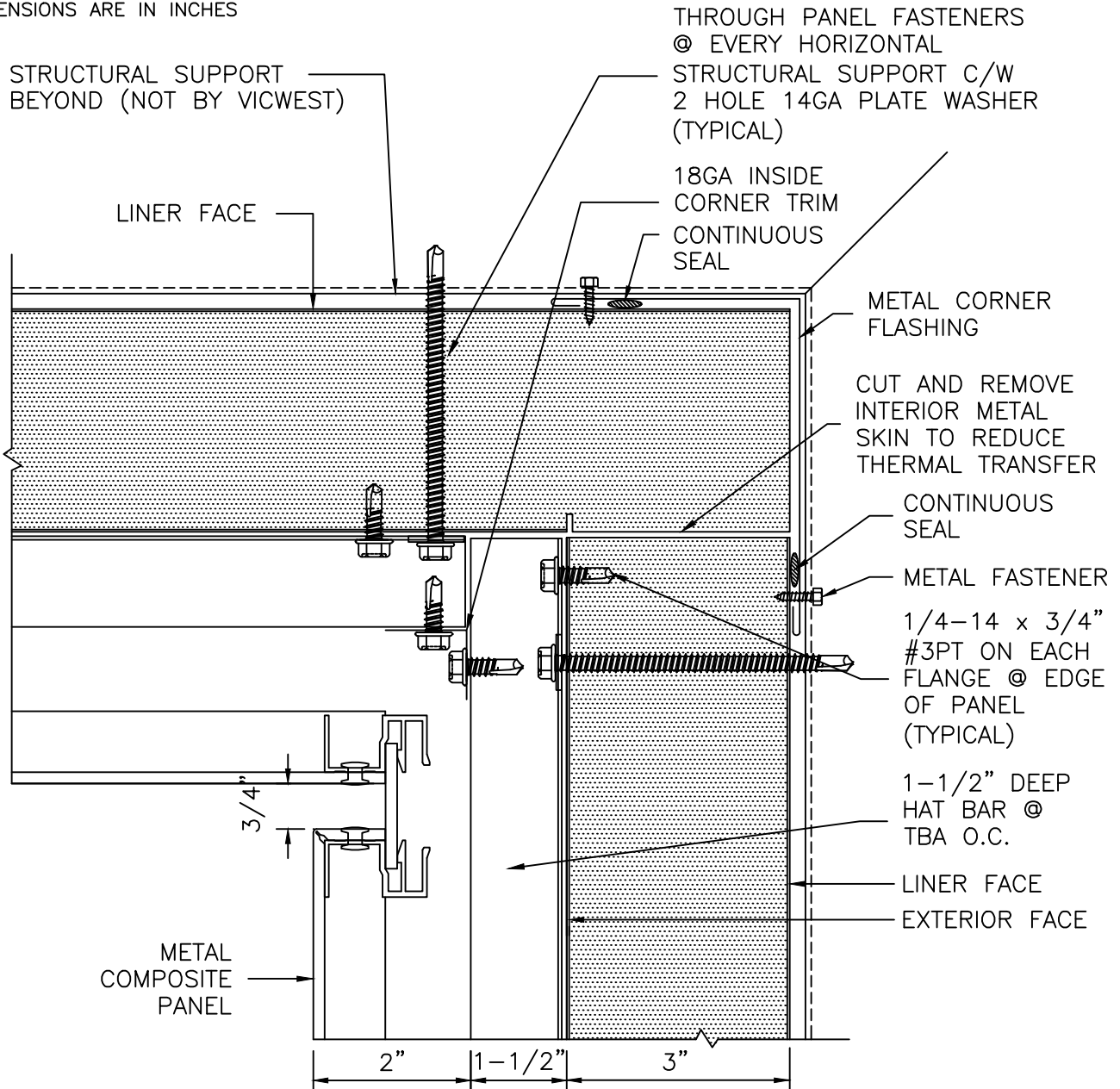
NOTE:

DETAIL MUST BE REVIEWED AND MODIFIED AS REQUIRED TO SUIT INDIVIDUAL PROJECT CONDITION.

INSULATED METAL PANEL

FASSADE METAL COMPOSITE PANEL APPLICATION INSIDE CORNER DETAIL

DIMENSIONS ARE IN INCHES



**SPACING, GAUGE, AND FASTENING PATTERN ARE DEPENDENT ON JOB SPECIFIC LOADING CRITERIA

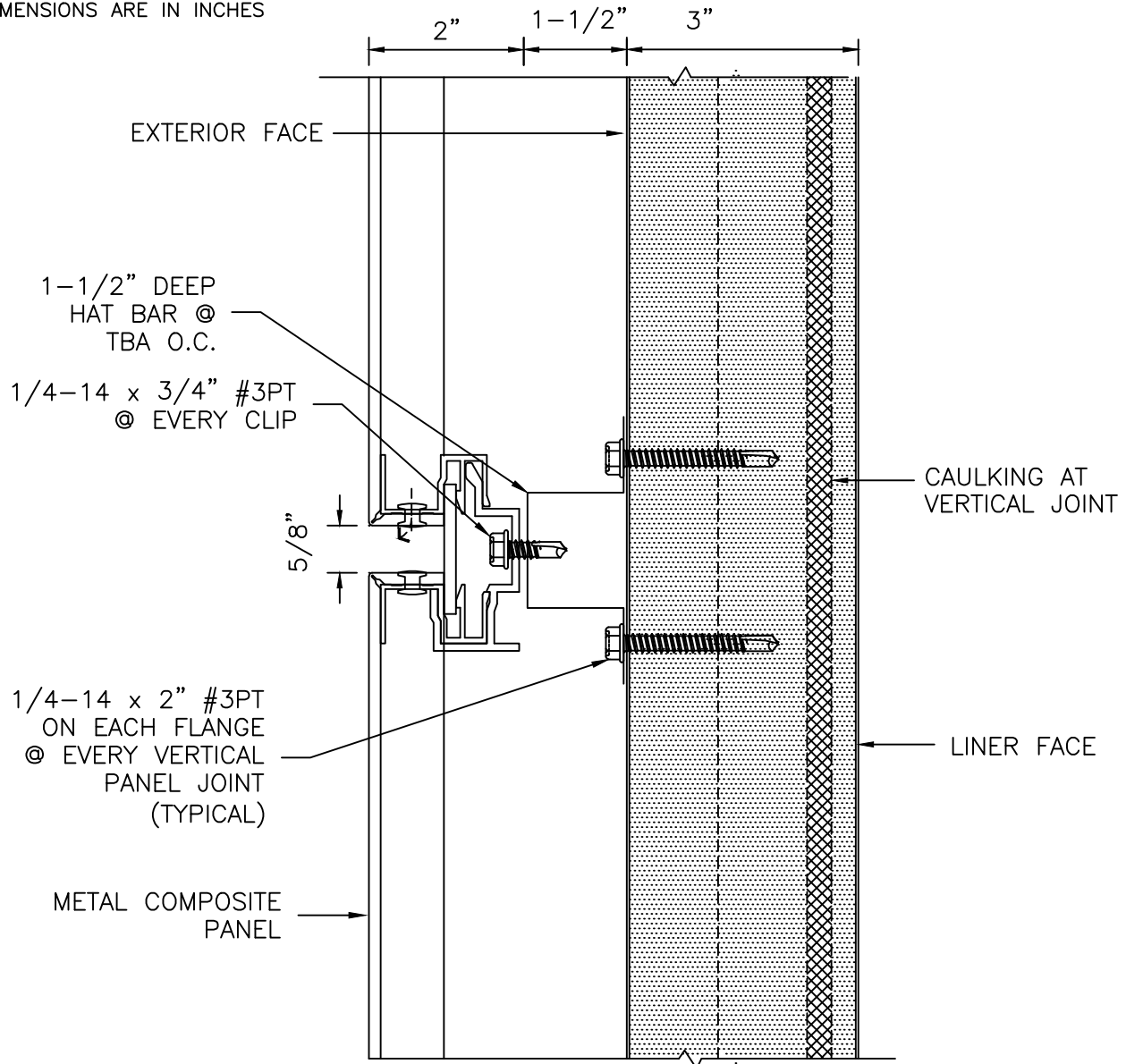
NOTE:

DETAIL MUST BE REVIEWED AND MODIFIED AS REQUIRED TO SUIT INDIVIDUAL PROJECT CONDITION.

INSULATED METAL PANEL

FASSADE METAL COMPOSITE PANEL APPLICATION INTERMEDIATE DETAIL

DIMENSIONS ARE IN INCHES



**SPACING, GAUGE, AND FASTENING PATTERN
ARE DEPENDENT ON JOB SPECIFIC LOADING CRITERIA

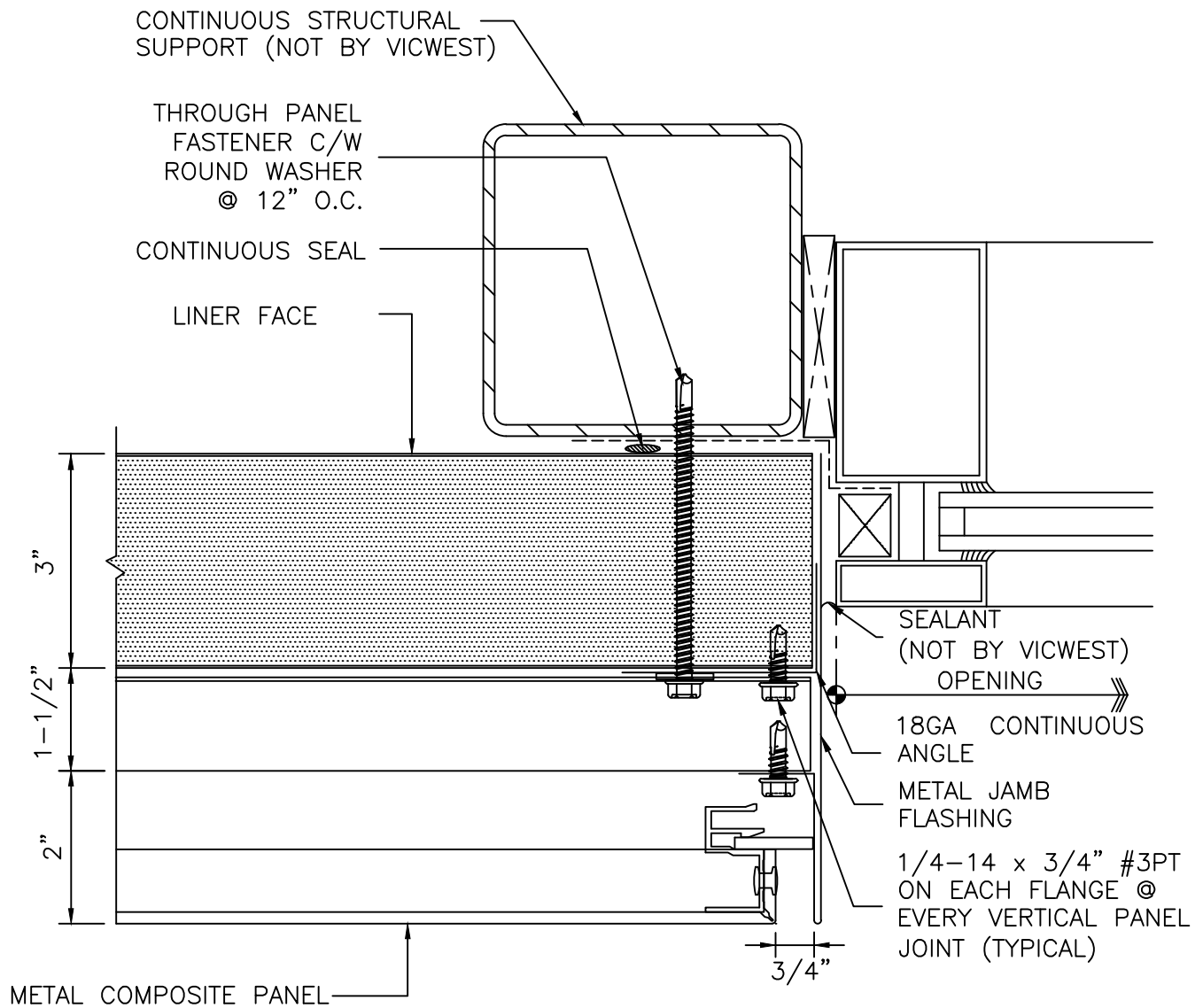
NOTE:

DETAIL MUST BE REVIEWED AND MODIFIED AS REQUIRED TO SUIT INDIVIDUAL PROJECT CONDITION.

INSULATED METAL PANEL

FASSADE METAL COMPOSITE PANEL APPLICATION WINDOW JAMB DETAIL

DIMENSIONS ARE IN INCHES



**SPACING, GAUGE, AND FASTENING PATTERN ARE DEPENDENT ON JOB SPECIFIC LOADING CRITERIA

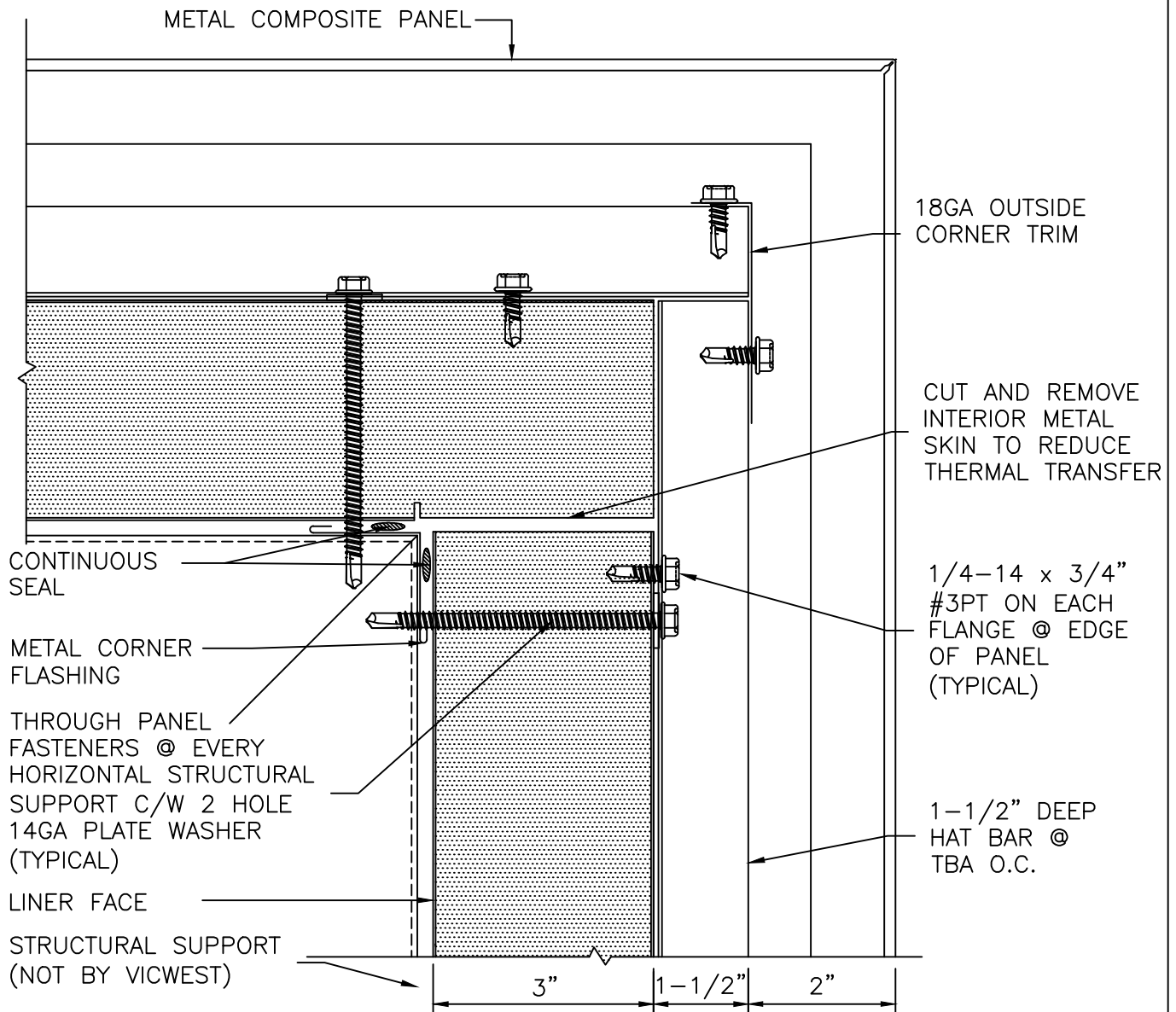
NOTE:

DETAIL MUST BE REVIEWED AND MODIFIED AS REQUIRED TO SUIT INDIVIDUAL PROJECT CONDITION.

INSULATED METAL PANEL

FASSADE METAL COMPOSITE PANEL APPLICATION OUTSIDE CORNER DETAIL

DIMENSIONS ARE IN INCHES



**SPACING, GAUGE, AND FASTENING PATTERN
ARE DEPENDENT ON JOB SPECIFIC LOADING CRITERIA

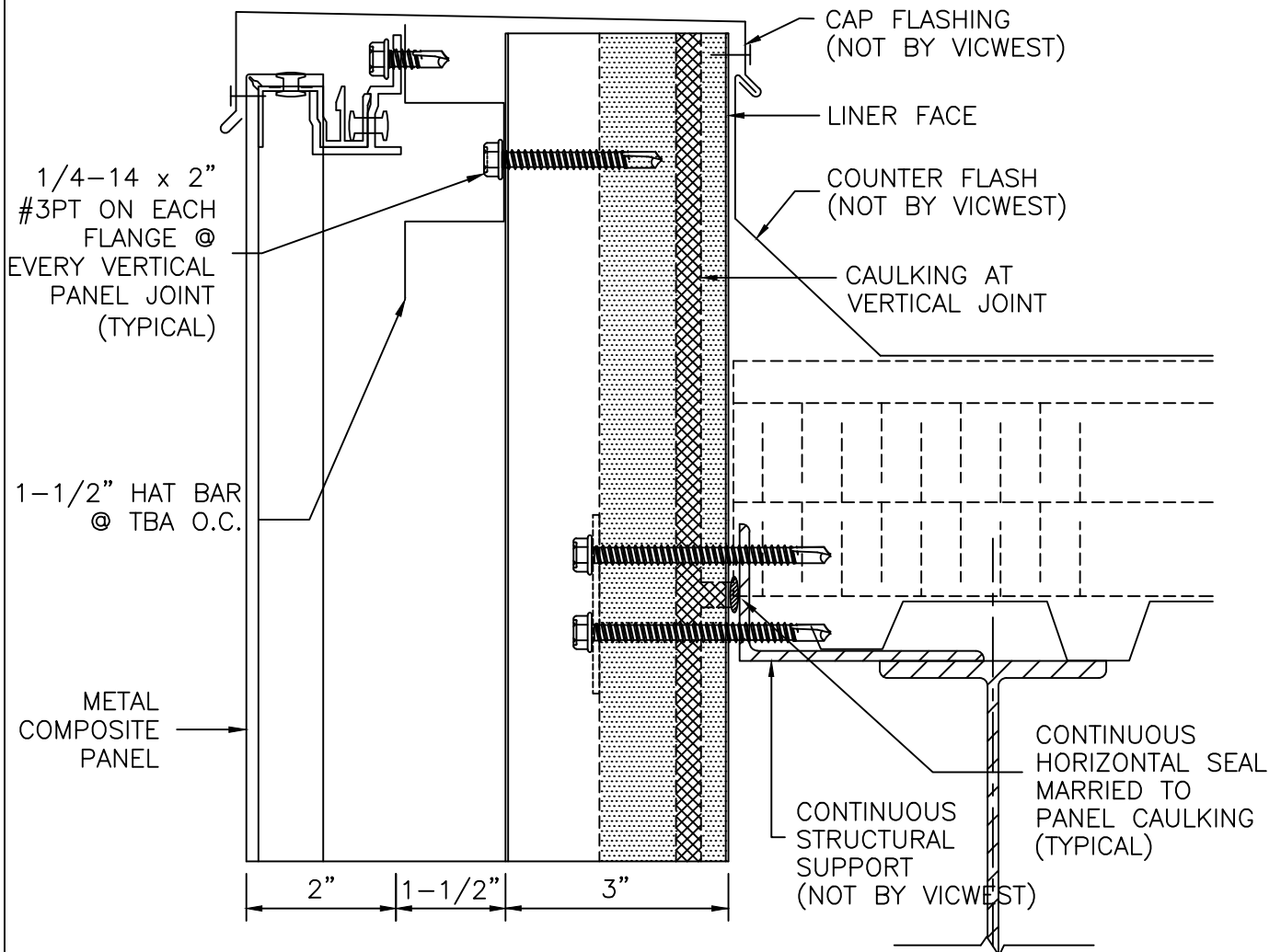
NOTE:

DETAIL MUST BE REVIEWED AND MODIFIED AS REQUIRED TO SUIT INDIVIDUAL PROJECT CONDITION.

INSULATED METAL PANEL

FASSADE METAL COMPOSITE PANEL APPLICATION PARAPET DETAIL

DIMENSIONS ARE IN INCHES



**SPACING, GAUGE, AND FASTENING PATTERN
ARE DEPENDENT ON JOB SPECIFIC LOADING CRITERIA

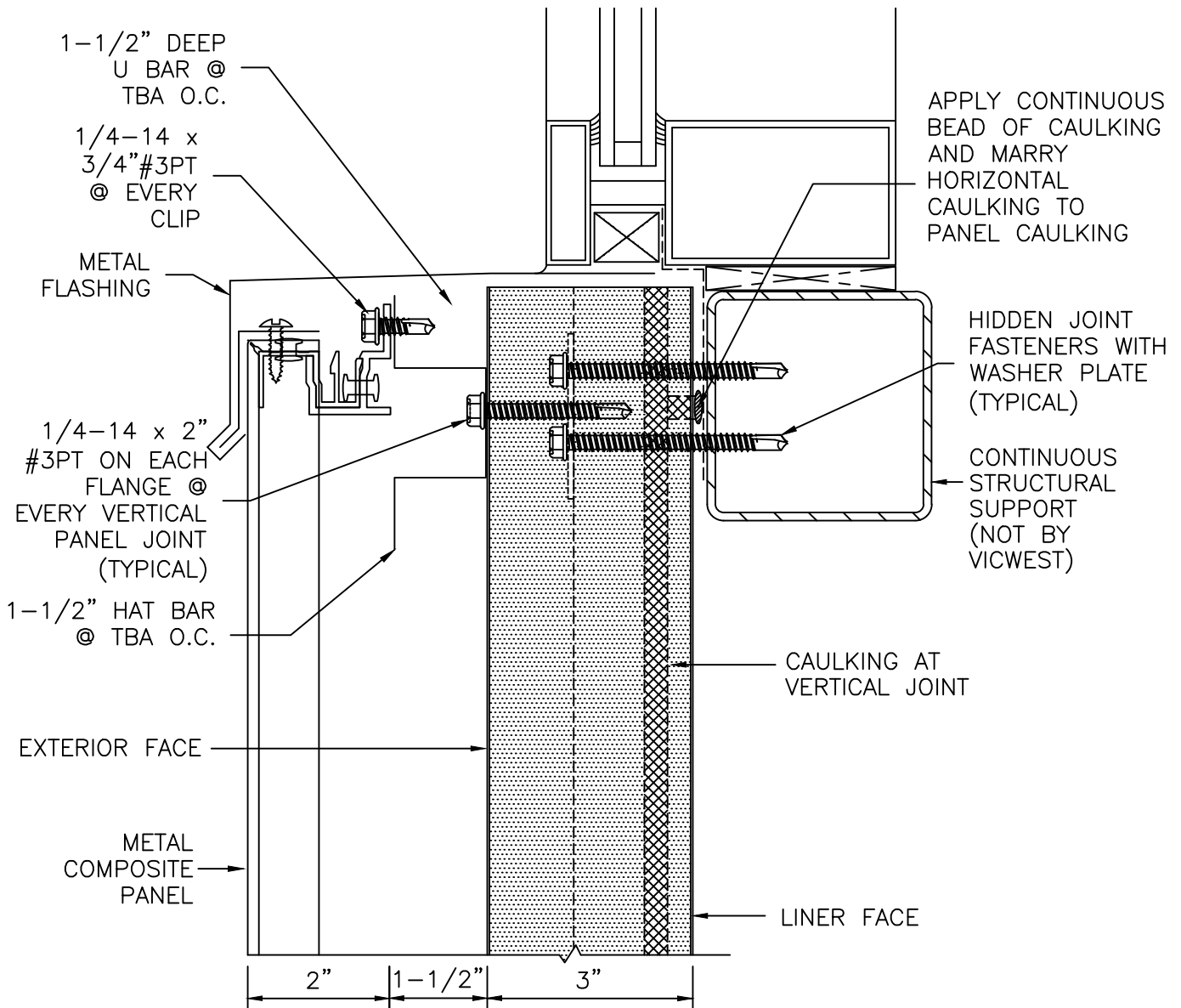
NOTE:

DETAIL MUST BE REVIEWED AND MODIFIED AS REQUIRED TO SUIT INDIVIDUAL PROJECT CONDITION.

INSULATED METAL PANEL

FASSADE METAL COMPOSITE PANEL APPLICATION WINDOW SILL DETAIL

DIMENSIONS ARE IN INCHES



**SPACING, GAUGE, AND FASTENING PATTERN ARE DEPENDENT ON JOB SPECIFIC LOADING CRITERIA


www.vicwest.com
©VICWEST/OCTOBER 2013

NOTE:

DETAIL MUST BE REVIEWED AND MODIFIED AS REQUIRED TO SUIT INDIVIDUAL PROJECT CONDITION.