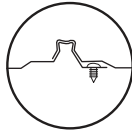
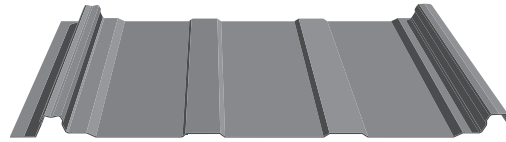
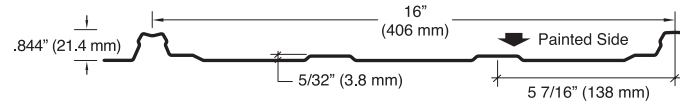
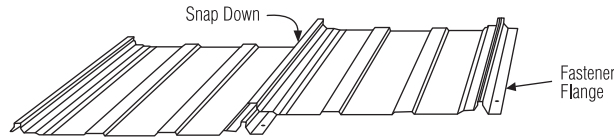


# VICELITE

Manufactured in Stratford, ON



Recommended Overlap Procedure



FINISH	MATERIAL GAUGE	LENGTH MAXIMUM RECOMMENDED
	29	
PRE-PAINTED	•	4' to 35'
GALVALUME	•	4' to 35'

## STEEL:

- Galvalume
- Pre-painted WeatherXL™ series (see Vicwest standard colors).



## MATERIAL SPECIFICATIONS:

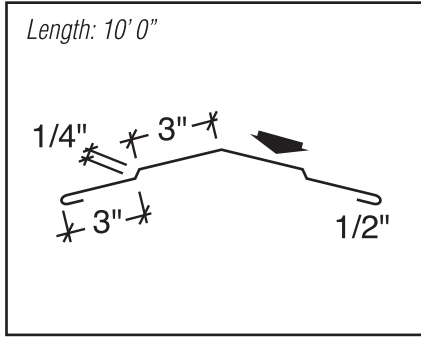
The steel used in the manufacture of VICELITE sheet meets the following specifications:

- ASTM A792 Grade E (latest revision) with designation AZ50 (AZM150) for Galvalume material.
- ASTM A653, Grade 80 (latest revision) with designation G90 (Z275) or AZ50 (AZM150) for prepainted Galvanized or Galvalume material.

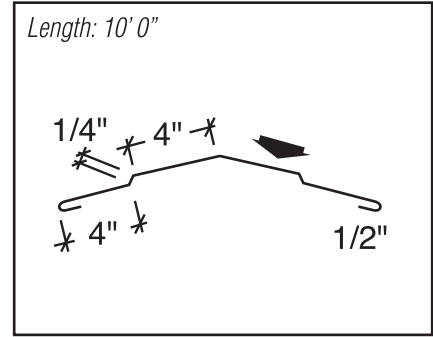
VICELITE is a classic “standing seam” profile that uses a hidden fastener installation system to produce clean, crisp lines. Fasteners at the overlap of each panel are completely hidden under the snap-together closure. This profile must be installed on a solid substrate. VicElite is available in 29 gauge steel.

# ROOFING ACCESSORIES

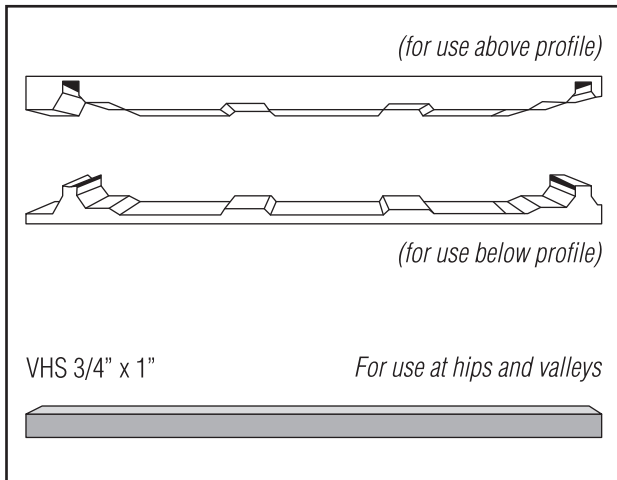
Ridge Cap RR-6



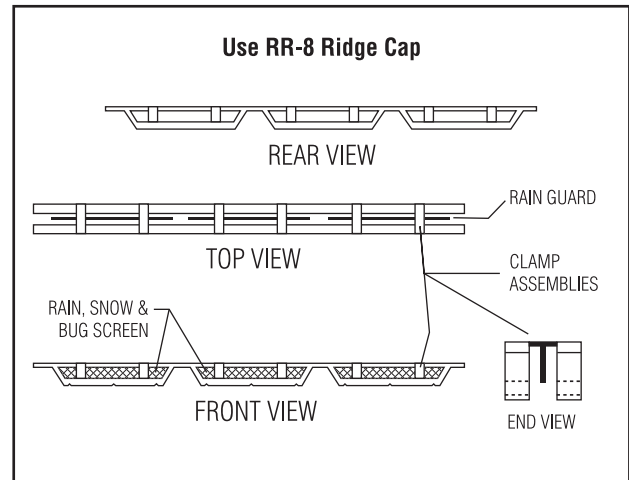
Ridge Cap RR-8



Foam Closures



Vented Foam Closures

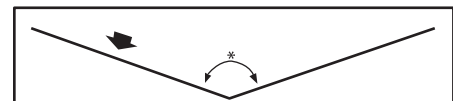


NOTE: The items shown below must all be installed in accordance with the manufacturer's instructions.

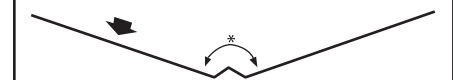


Dektite - Vent Seal

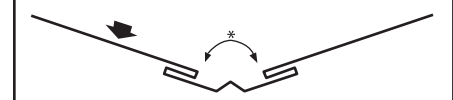
Type A Valley



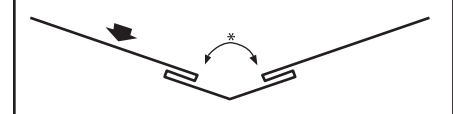
Type B Valley



Type C Valley



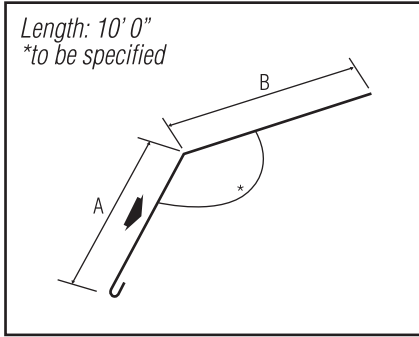
Type D Valley



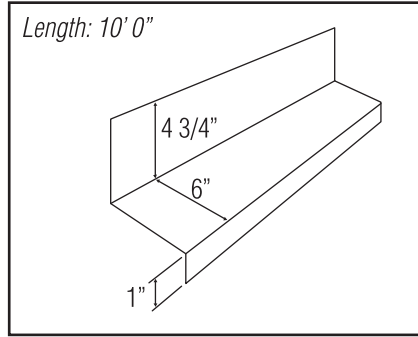
\*Specify roof pitch when ordering.

# ROOFING ACCESSORIES

Hip Cap C-145

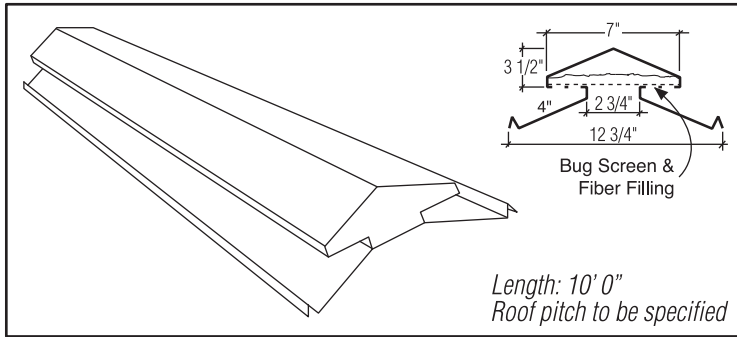


End Wall

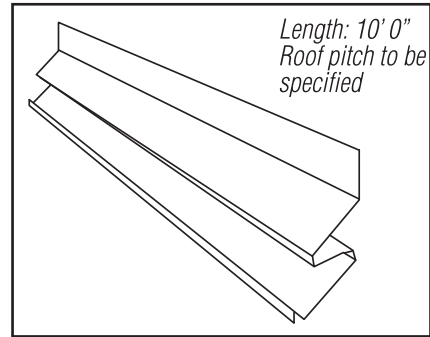


## VENTILATORS

Vicwest Vented Ridge #1200 - Complete with screen and dust filter



Vented End Wall

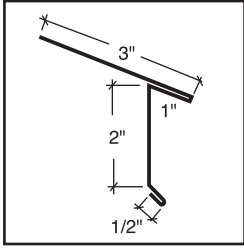


## TRIMS

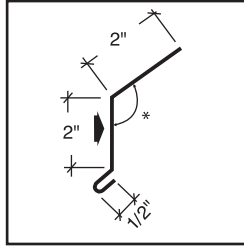
716 	717 	718 	719 
720 	723 	701 	704 
710 	711 	713 	C-120 

# STANDARD TRIMS

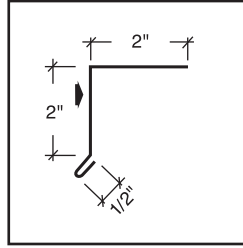
Length of all items: 10' 0"



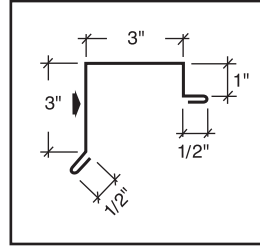
S-125 Eave Trim



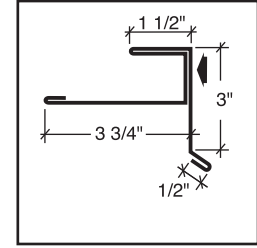
S-122 Eave Trim



S-123 Gable Trim



S-124 Standard Gable Trim



F Gable Trim

# ESTIMATING CHART

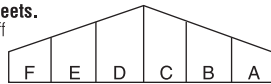
Coverage @ 16" (0.406m) per sheet:

No. OF SHEETS	COVERAGE			No. OF SHEETS	COVERAGE			No. OF SHEETS	COVERAGE		
	FT.	INS.	M		FT.	INS.	M		FT.	INS.	M
1	1	4	0.406	16	21	4	6.502	31	41	4	12.598
2	2	8	0.813	17	22	8	6.909	32	42	8	13.001
3	4	0	1.219	18	24	0	7.315	33	44	0	13.411
4	5	4	1.626	19	25	4	7.722	34	45	4	13.818
5	6	8	2.032	20	26	8	8.128	35	46	8	14.224
6	8	0	2.438	21	28	0	8.534	36	48	0	14.630
7	9	4	2.845	22	29	4	8.941	37	49	4	15.037
8	10	8	3.251	23	30	8	9.347	38	50	8	15.443
9	12	0	3.658	24	32	0	9.754	39	52	0	15.850
10	13	4	4.064	25	33	4	10.160	40	53	4	16.256
11	14	8	4.470	26	34	8	10.566	41	54	8	16.662
12	16	0	4.877	27	36	0	10.973	42	56	0	17.069
13	17	4	5.283	28	37	4	11.379	43	57	4	17.475
14	18	8	5.690	29	38	8	11.786	44	58	8	17.882
15	20	0	6.096	30	40	0	12.192	45	60	0	18.288

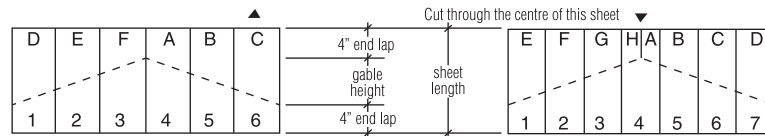
# GABLE SHEET LENGTH

To determine number of sheets required, use preceding table.

**Gable End with even number of sheets.**  
Use ends cut off sheets to cover second gable.



**Gable End with odd number of sheets.**  
Use ends cut off sheets to cover second gable.



# CONVERSION FACTORS

<b>To Convert</b>	<b>Multiply by</b>
Inches to millimeters	25.4
Millimeters to inches	0.03937
Feet to meters	0.3048
Meters to feet	3.281

<b>To Convert</b>	<b>Multiply by</b>
Sq. feet to sq. meters	0.0929
Sq. meters to sq. feet	10.76
Pounds to kilograms	0.4536
Kilograms to pounds	2.205



In accordance with ongoing efforts to improve our products and their performance, Vicwest Building Products reserves the right to change without notice the specifications contained herein.

The contents herein are for general information and illustrative purposes only and are not intended to serve as any type of advice. Every effort is made to ensure the accuracy of the information included in this brochure and it is believed that the information contained herein is accurate and reliable as of the date of publication. Vicwest Building Products, however, does not warrant or represent the accuracy or reliability of any information included in this brochure. Any reliance on any information without consultation with Vicwest Building Products or a duly authorized representative shall be at the user's own risk. © 2015 Vicwest Building Products - All rights reserved

