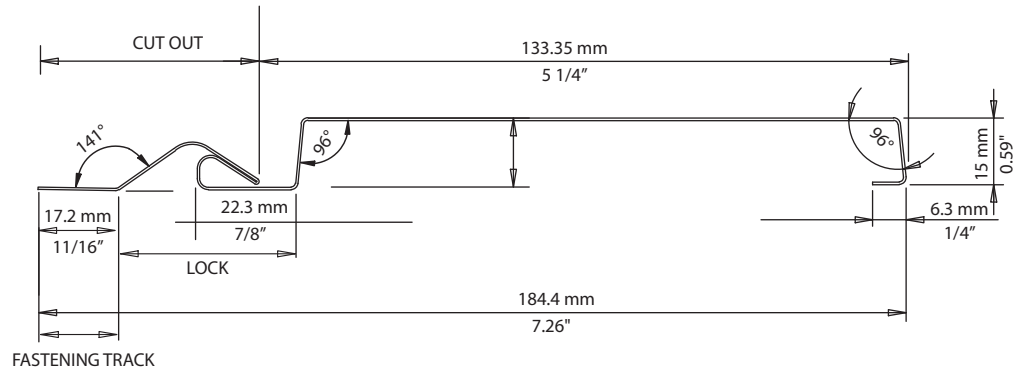


Plan View



Cross Section

### Receiving of Materials

It is imperative to inspect all materials after its receipt to detect any errors in the order, damage to the material or missing materials. If necessary, inform your supplier as soon as possible of your concerns with the material. **Any of the material that has been installed will be considered as accepted.**

### Handling of Boxes

Handle boxes as per instructions printed on them: always lift boxes or sheets with their sides facing up, not the width. This will prevent the materials from buckling.



### Storage

If any of the product is not to be installed immediately after receiving, certain guidelines pertaining to storage must be observed. It is necessary to have the materials stored in a dry and well-ventilated area. If the steel panels are required to be left outside, it is recommended that they avoid any direct sunlight and freezing temperatures. This can have an adverse effect on the protective plastic film where it will be harder to remove and the glue may leave a residue on the siding. For added protection, it is recommended that a tarp be used to cover the materials against temperature variations.

**WARNING:** As with any other steel materials, handle the product with care to avoid splinters, burrs, cuts and crushing of fingers or hands. The wearing of appropriate protective wear is imperative.

## Protective Wear List

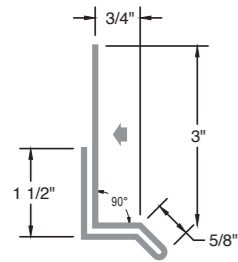
1. Work Gloves
2. Safety Boots/Shoes
3. Safety Hat
4. Safety Glasses

This document is intended to be a guideline for the handling and installation practices for the Vicwest Bellara Steel Siding product. Only common applications of the siding and trims are shown. The proceeding examples are practices commonly associated with the general installation of exterior sidings and trims. Additional practices may be acceptable based on local requirements – please consult your local building codes.

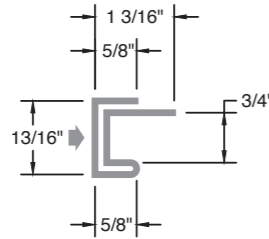
## BELLARA SIDING Tools/Equipment List

1. Cutting Tools
  - A. Mitre Saw with a metal cutting blade, example – 7.5" blade c/w 60T
  - B. Table Saw with metal cutting blade, example – 7.5" blade c/w 60T
  - C. Power Shear
  - D. Power Nibblers
  - E. Hand Snips
2. Measuring Tape – minimum 25' long
3. Marking tool – Scratch Awl, Pencil, Marker etc.
4. Straight Edge and Framing Square
5. Portable Hand Brake
6. Ladders
7. Scaffolding / Planking
8. Levels – 24" and 48" lengths
9. Chalkline and leveling Laser Line
10. Caulking Gun
11. Cutting Table or Saw Horses
12. Hammer – Claw or Framing
13. Hand Bending Pliers

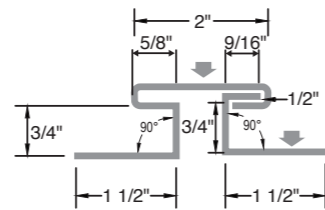
## TYPICAL TRIMS



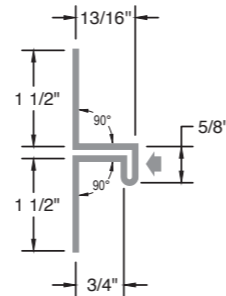
322 Drip Edge



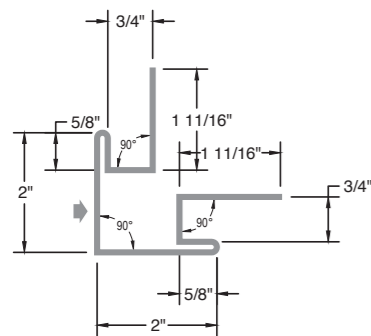
313 J-Trim



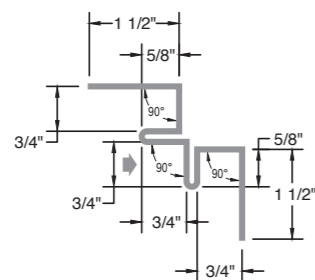
321 Partition Moulding



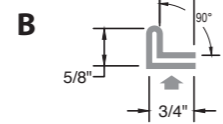
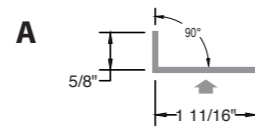
315 Conversion Trim



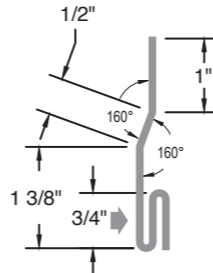
304 Outside Corner



301 Inside Corner



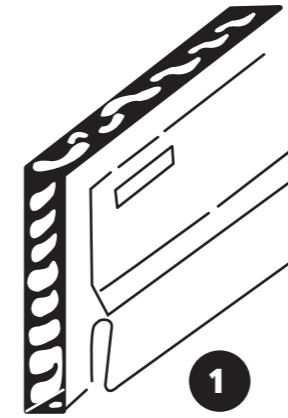
350 A & B 2 PC J-Trim



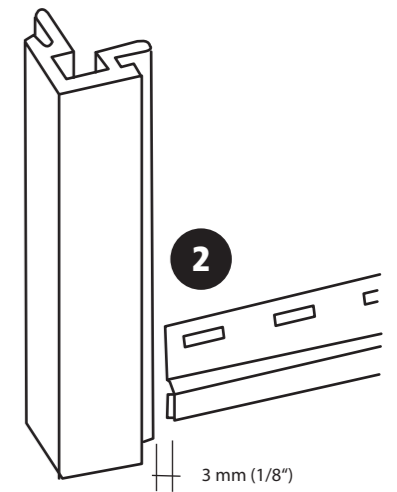
352 Starter Strip

## STEP BY STEP INSTALLATION INSTRUCTIONS

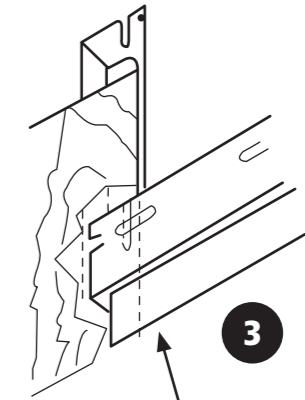
1. Use a level chalk line and pull a line along the bottom of the wall where your siding will start. Apply starter base trim with its bottom edge being flush to the bottom of the wall or to your chalk line.



2. Install the inside and outside corners flush to the bottom chalk line. Keep a 3mm (1/8") gap between any of the fastening flanges of the corner trims and the starter base being used. The required cut length should allow 6mm (1/4") gap at top of wall. Fasten along the fastening leg at every 305mm (12").



3. When using a J-Trim at the base, install the bottom of the J-Trim flush to the bottom of chalk line. Insert the J-Trim in to the reveal cavity of the vertical corner trim.

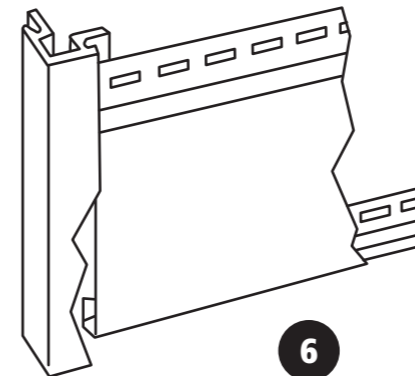


Vertical Base Flashing

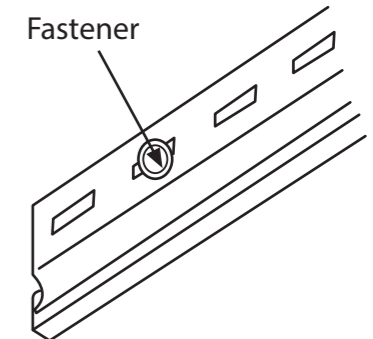
4. At the top of the wall area, invert the J-Trim and insert into the corner trim - this will cap over the siding.

5. Cut the panel to required length, allowing for expansion.

6. Lock first panel into chosen starter base. It is recommended to leave a 1/8" space at the end of the panel that is within the reveal cavity of the trims.



7. Using the #8 wood fastener, fasten both ends of the panel, in the centre of the provided slots. Continue fastening along the fastening track every 406mm (16") maximum.



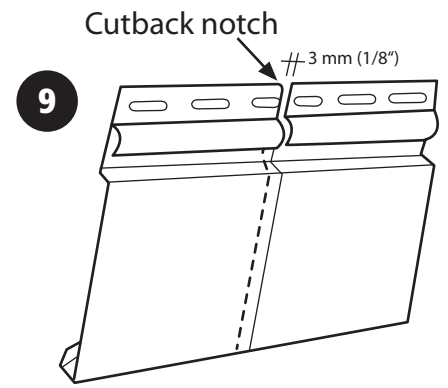
8. Insert the bottom leg of the next panel in the installed panels reveal and raise panel upwards until small return of the trough leg engages in top of the lock.



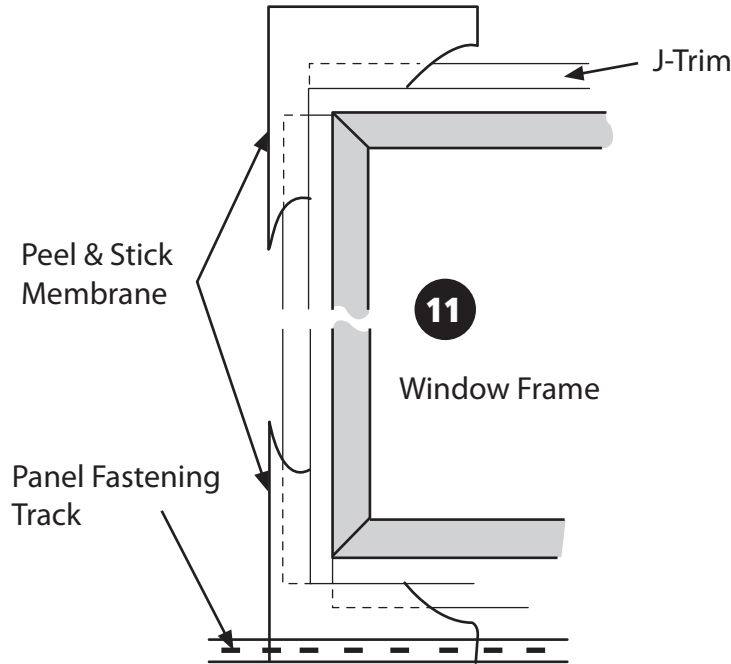
Return Trough Leg

9. Overlap the panels at the factory notched side. It is recommended that you cut a 1/8" cutback notch on the fastening track/lock on the overlap panel to accommodate panel expansion.

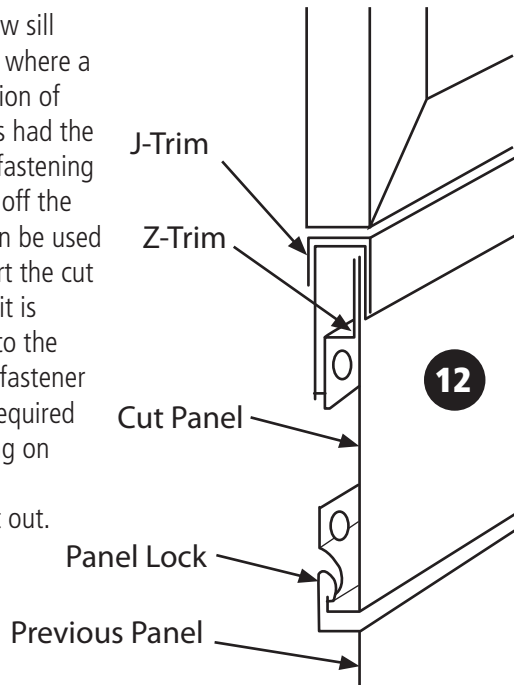
10. Continue applying courses of panels staggering them as you move up the wall, ensuring that the panel joints do not line up directly over each other.



11. Install J-Trim around all sides of windows/doors. Apply a Peel and Stick Membrane tape around the fastener flanges. Be sure to tape from sill down to and on top of the last fastening track.



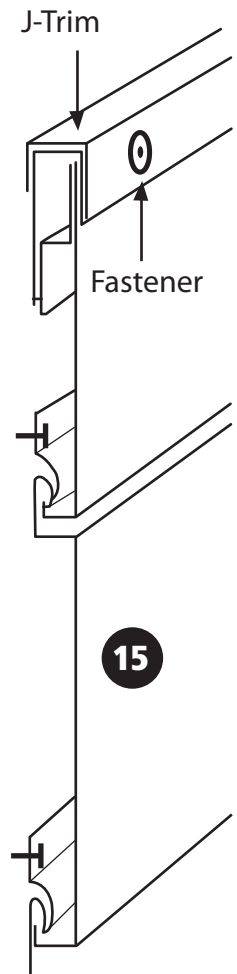
12. At window sill locations where a long section of panel has had the top lock/fastening track cut off the Z-trim can be used to support the cut panel as it is inserted to the J-Trim. A fastener may be required depending on length of panel cut out.



13. The last course of siding generally needs to be cut along the length of the panel to fit the width of the space remaining.

14. Install J-Trim at the top of the wall. Using the #8 wood fastener screws, fasten both ends of the trim and continue fastening along the flange at every 305mm (12").

15. Install the cut edge of the panel between the Z-Trim and the J-Trim. Be sure the hook trough leg is hooked on the lock of previous panel. Using a pop rivet or a small truss head screw, fasten through the J-Trim and panel securing it in to the Z-Trim, along the J-Trim face, approximately every 915mm +/- (36")



Don't forget to register your warranty and view the features and benefits of Bellara at: [www.vicwest.com/bellara](http://www.vicwest.com/bellara)