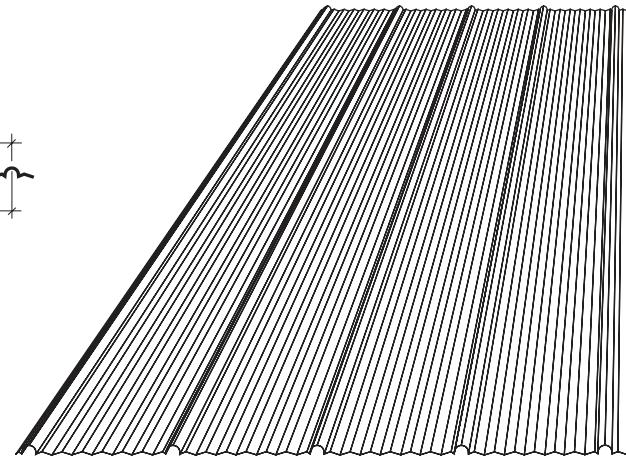
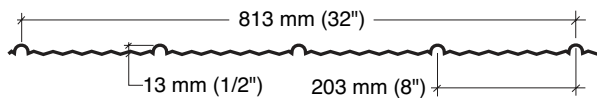


BARNMASTER

Manufactured in Stratford



FINISH	MATERIAL GAUGE						LENGTH
	30	28	26	24	22	20	
GALVALUME	4' - 30'
GALVANIZED	4' - 30'
PREPAINTED	4' - 30'

APPLICATION - walls and roofing

STEEL:

- galvanized and Galvalume
- pre-painted galvanized WeatherX™ series (see VICWEST standard colours).

MATERIAL SPECIFICATIONS:

The steel used in the manufacture of BARNMASTER sheet meets the following specifications:

ASTM A792 Gr. 33 (latest revision) with designation AZ150

- for Galvalume material.

ASTM A653 SQ, Gr. 33 (latest revision) with designation Z275

- for Galvanized material.

ASTM A653 SQ, Gr. 33 (latest revision) with designation AZ150 or Z275

- for Pre-painted Galvanized and Galvalume material.

Five main nailing ribs 1/2" (13mm) high, make BARNMASTER sheets compatible with most 5-rib, 32" coverage sheets on the market.

The versatile BARNMASTER profile can be used either as sidewall or roofing cladding, making BARNMASTER the perfect sheet to stock in 6, 8, 10, 12 and 14 foot lengths.

BARNMASTER can be used as a roofing profile for pitches down to 4/12. BARNMASTER is a fully reversible profile.



STANDARD TRIMS

216	217*	218*	219	220	221
223	201	204	210	213	211*

N.B: Other products also available; see Flashings & Mouldings.
*measurement to be determined

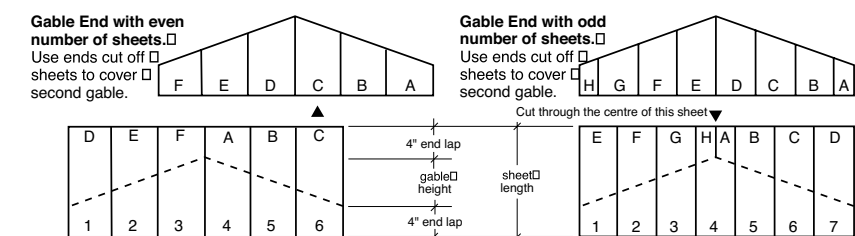
ESTIMATING CHART

Coverage @ 32" (0.813m) per sheet:

NO. OF SHEETS	COVERAGE		NO. OF SHEETS	COVERAGE		NO. OF SHEETS	COVERAGE				
	Ft.	Ins.		Ft.	Ins.		Ft.	Ins.			
1	2	8	0.813	16	42	8	13.00	31	82	8	25.20
2	5	4	1.626	17	45	4	13.82	32	85	4	26.01
3	8	0	2.438	18	48	0	14.63	33	88	0	26.82
4	10	8	3.251	19	50	8	15.44	34	90	8	27.64
5	13	4	4.064	20	53	4	16.26	35	93	4	28.45
6	16	0	4.877	21	56	0	17.07	36	96	0	29.26
7	18	8	5.690	22	58	8	17.88	37	98	8	30.07
8	21	4	6.502	23	61	4	18.69	38	101	4	30.89
9	24	0	7.315	24	64	0	19.51	39	104	0	31.70
10	26	8	8.128	25	66	8	20.32	40	106	8	32.51
11	29	4	8.941	26	69	4	21.13	41	109	4	33.32
12	32	0	9.754	27	72	0	21.95	42	112	0	34.14
13	34	8	10.566	28	74	8	22.76	43	114	8	34.95
14	37	4	11.38	29	77	4	23.57	44	117	4	35.76
15	40	0	12.19	30	80	0	24.38	45	120	0	36.57

GABLE SHEET LENGTHS

To determine the number of sheets:



CONVERSION FACTORS

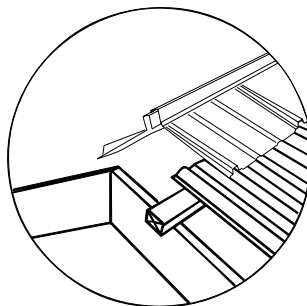
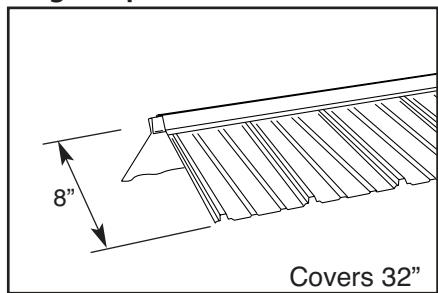
Consistent with our policy of continued research and development of our products, VICWEST reserves the right to modify or change the information contained in this publication without notice.



TO CONVERT	MULTIPLY BY	TO CONVERT	MULTIPLY BY
inches to millimetres	25.4	sq. feet to sq. metres	0.0929
millimetres to inches	0.03937	sq. metres to sq. feet	10.76
feet to metres	0.3048	pounds to kilograms	0.4536
metres to feet	3.281	kilograms to pounds	2.205

ROOFING ACCESSORIES

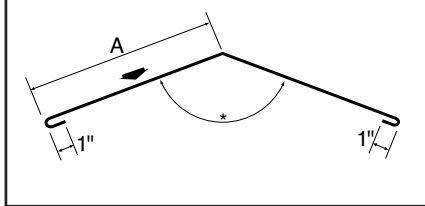
Ridge Cap (2 piece adjustable)



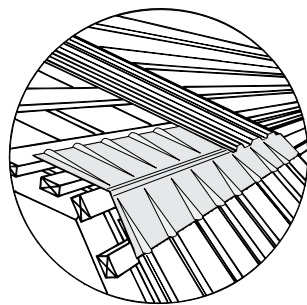
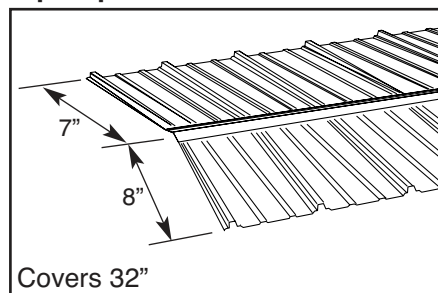
Ridge Cap FA-6 / FA-8 / FA-12

Length: 10' 0"
* to be specified

FA-6 A = 5"
FA-8 A = 8"
FA-12 A = 11"

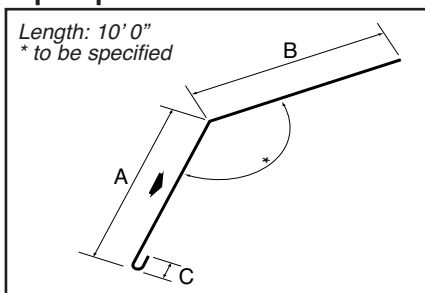


Hip Cap

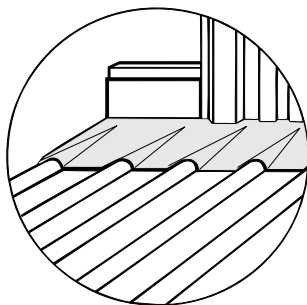
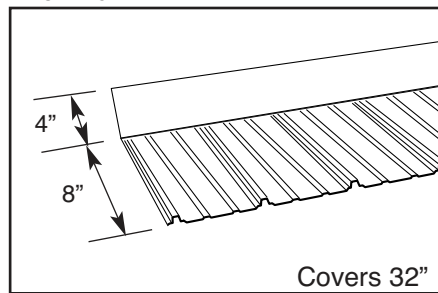


Hip Cap C-145

Length: 10' 0"
* to be specified

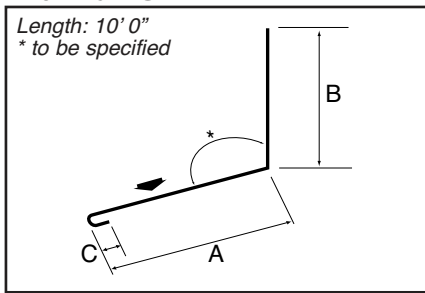


End Wall



End Wall C-121

Length: 10' 0"
* to be specified

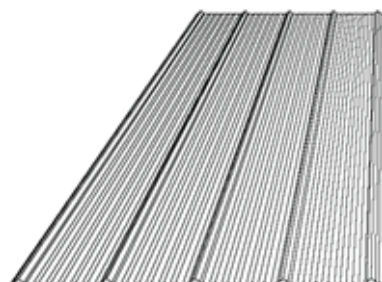


Outside (prepainted)

N.B: Other products also available; see Flashings & Mouldings.

FIBERGLASS

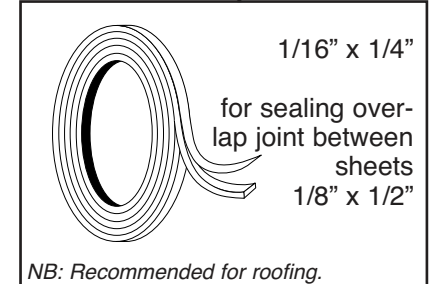
Coverage: 32" (813mm)
Weight: 5 oz.
Lengths: 8' 0", 10' 0" and 12' 0"
Colours: Clear and Green.



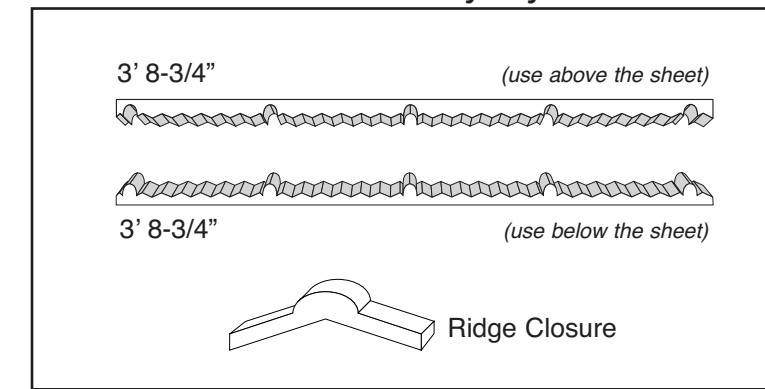
WATERPROOFING AND SEALING

For best waterproofing results, we recommend the use of the following products:

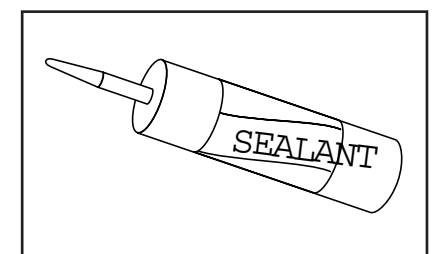
Construction Tape



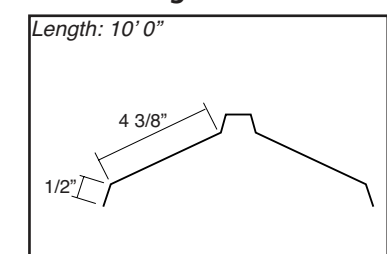
Foam Closures - Crosslinked Polyethylene



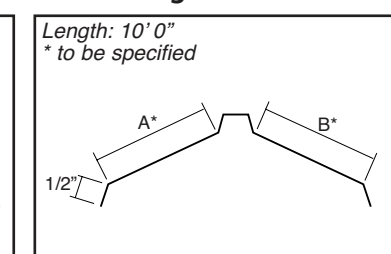
Sealant



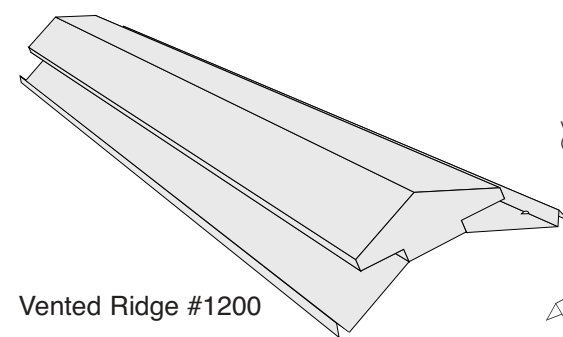
Rolled Ridge S-20



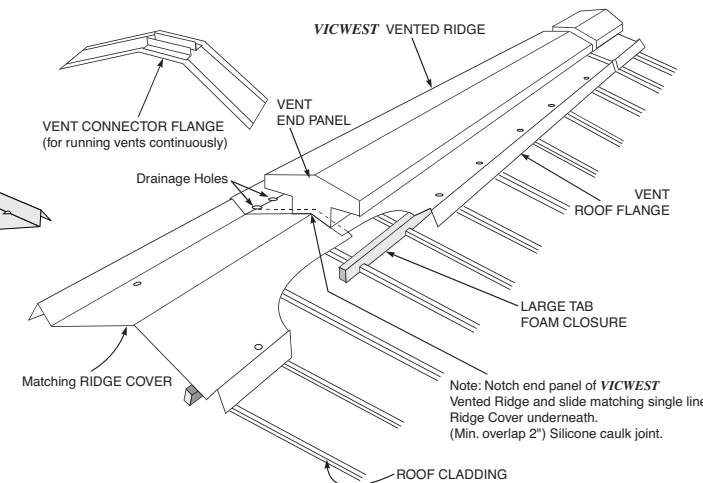
Rolled Ridge C-20



VENTILATION



Vented Ridge #1200



Low Profile Ventilator #480